

THE BRICKETTE™

by WESTERN TECHNOLOGY

Designed + Manufactured in the USA



The BRICKette™: 2106 LED- Explosion Proof Work Light

July 2017



Multiple Mounting Options

Magnetic, Solid, or Slotted Handles- (high & low profiles; long or short handles)



Complete BRICKette System



Dome Diffuser



Blast Shield



Product Features

- ▶ **Approved for:** Class I, Div 1 & 2, Group C & D
- ▶ **Approved for:** Class II, Div 1 & 2, Group E, F, & G
- ▶ **Approved for:** CSA Zones 1 & 2; Zones 20, 21, & 22
- ▶ **Conforms to:** UL Stds 153, 8750, 844;
- ▶ **Certified to:** CSA Stds C22.2#s 12, 25, 30, 137, 250.13
- ▶ **Suitable for Wet Location Use:** Type 6P
- ▶ **Certified:** Portable Luminary
- ▶ **Temperature Rating:** T-code: T5 (-25° to +40°C)
- ▶ **LED Color:** ~6000K, CRI >70
- ▶ **Rated with optics:** 26,000 lux at 1'
- ▶ **Rated with optics:** >2,500 lumens
- ▶ **Reflective Optic Beam Angle:** 60°
- ▶ **Light Head Power:** 21VDC, 800mA, LVLE
- ▶ **Weight:** 3.5 lbs (light head only) | 4.2-5.3 lbs (light head with handle)
- ▶ **Dimensions:** 6"L x 2.9"W x 2.3"H
- ▶ **Protection:** Polyurethane Bumper
- ▶ **Accessories:** Blast Shields, Dome Diffuser, Overspray Protection Bags
- ▶ **Variable Mounting Options:** Magnetic, Solid and Slotted Handles (High & Low Profiles, Short and Long Handles)



The BRICKette™
Magnetic Handle
(high profile; long handle)

THE 3475LED™

by WESTERN TECHNOLOGY

Designed + Manufactured in the USA



Model 3475-80 | KICK-IT TOUGH™ LED Blast Light

October 2017



Model 3475-80/S
[Complete System Option]
(LED Blast Light, Cable, Power Box, & Plug)
various cable lengths available



Model 3475-80
[Non Power Box Option]
(LED Blast Light, Cable)
various cable lengths
& plug options available

**ABRASIVE
BLAST
LIGHTING**



The 3475LED Blast Light
new driver & improved optics
(shown w/optional stanchion)

Product Features

Light Output:	1,200 Lumens
Brightness:	>40,000 Lux @ 1 foot with Optics
Beam:	25° (Spot Light)
Optics:	Refractive Optic Design
Light Source:	LED
Color Temperature:	6000K (+/-200K)
Power Consumption:	18 Watts
Voltage Options:	12-28V AC/DC 220 V AC
Housing:	Light Body: Aluminum Handle: Polyurethane Halo: Shock-absorbing polyurethane
Dimensions:	7" Length x 3.0" Diameter
Weight:	Lighthouse: ~2.0 lbs 100' System: ~8.5 lbs
Cable Options:	100' Extreme Cable (standard) Other lengths available (min. 10 feet) Battery Clamp option available (10 ft - Min. Cord Length)
No Air:	Yes
Replacement Accessories & Parts:	[3402 LED-3] Replacement Halo [3609B] Pyrex Blast Lens (Box of 12) [3475 CR Lens Pk] Polycarbonate Lens (12 pk w/ screws) [3112HC-LED] Light Stanchion & Hose Clamp

Model 3475-80
[Improved (More Clear) Optics]



New Optics



Previous Optics



**6 Bright,
White LEDs**



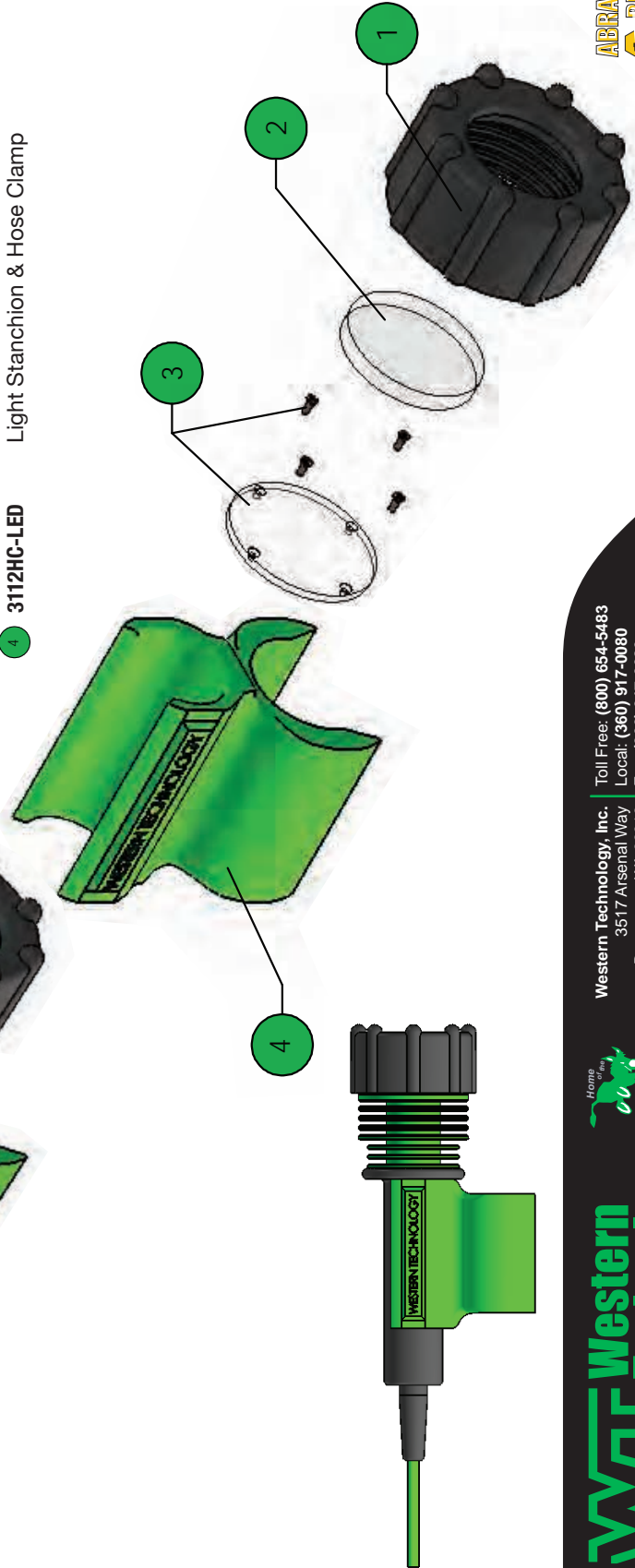
WTT 3475LED™
by WESTERN TECHNOLOGY
Designed + Manufactured in the USA

REPLACEMENT ACCESSORIES & PARTS

Part #	Item Description
1 3402 LED-3	Replacement Halo for 3475/3460 Aluminum Body
2 3609B	Pyrex Blast Lens (Box of 12)
3 3475 CR Lens Pk	Polycarbonate Lens (12 pk includes screws)
4 3112HC-LED	Light Stanchion & Hose Clamp



MODEL 3475-80
6 LED "No-Air" Polyurethane-Wrapped Aluminum LED Blast Light



Western Technology, Inc. | Toll Free: (800) 654-5483
3517 Arsenal Way | Local: (360) 917-0080
Bremerton, WA 98312 | Fax: (360) 917-0083
www.WesternTechnologyLights.com



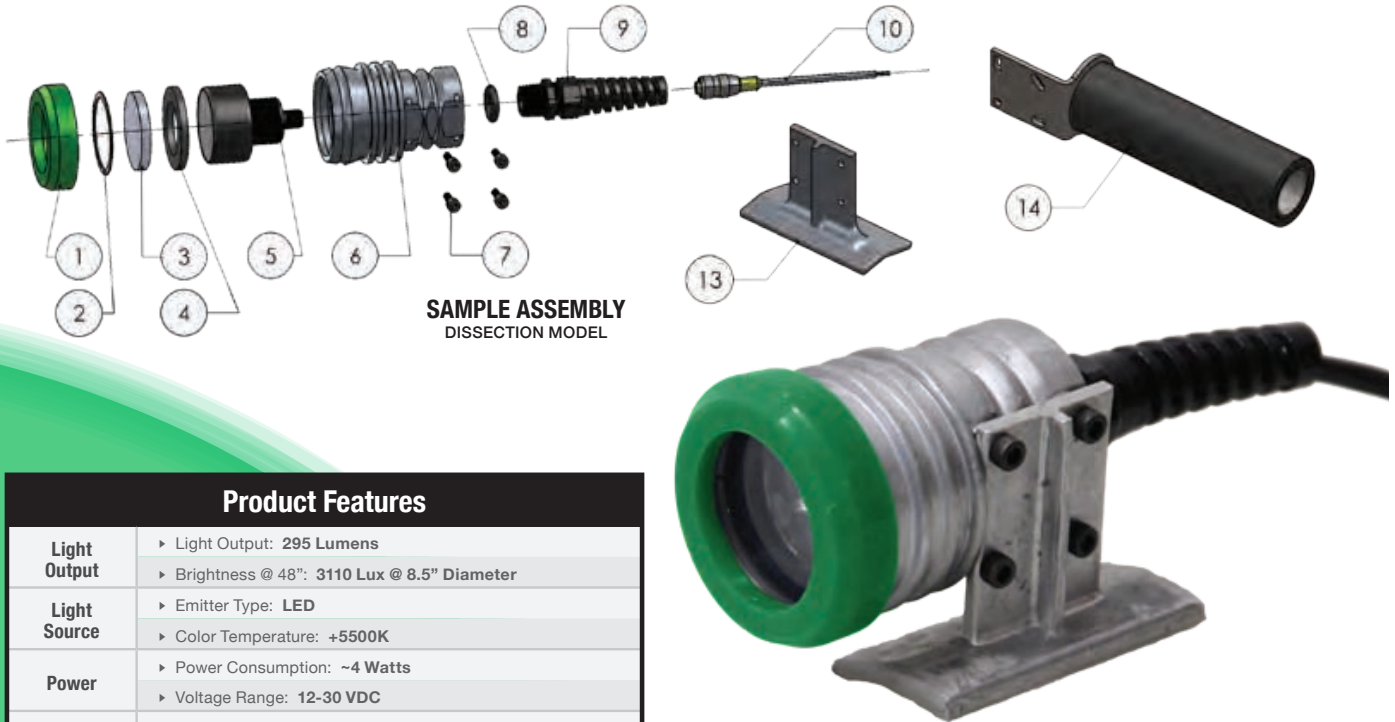
WTT Western Technology

MODEL 3500 LED

3500 Field Repairable LED Blast Light

ABRASIVE BLAST LIGHTING
from **WESTERN TECHNOLOGY**

June 2016



SAMPLE ASSEMBLY
DISSECTION MODEL

Product Features	
Light Output	<ul style="list-style-type: none"> ▶ Light Output: 295 Lumens ▶ Brightness @ 48": 3110 Lux @ 8.5" Diameter
Light Source	<ul style="list-style-type: none"> ▶ Emitter Type: LED ▶ Color Temperature: +5500K
Power	<ul style="list-style-type: none"> ▶ Power Consumption: ~4 Watts ▶ Voltage Range: 12-30 VDC
Housing	<ul style="list-style-type: none"> ▶ Light Body: Cast Aluminum ▶ Length: 4 3/8" ▶ Width: 2 5/8" ▶ Diameter: 2 5/8" ▶ Weight: 20 oz.
Accessories & Parts (see Sample Assembly pic)	<ul style="list-style-type: none"> ▶ 1: Front Bumper (Replaceable) ▶ 3: Heat Treated Lens- [6 Pack of Replacement Lenses (3)] ▶ 2, 4, 5: LED Module Kit (Replaceable)- [LED Engine Module(5), Primary Gasket(4), w/Snap Ring (2)] ▶ 5: LED Engine Module- (Replaceable Module Only) ▶ 6: Housing ▶ 7: Mounting Screws ▶ 8, 9, 10: Power Kit (Replaceable)- [Power Cord Seal (8), Strain Relief Connector (9), 10' Power Cord (10)] ▶ 10: Cord Only (Replaceable) ▶ 13: Hose Mount ▶ 14: 2-Way Soft Grip Mount ▶ Battery Pack & Accessories: See Back (3510 LED)

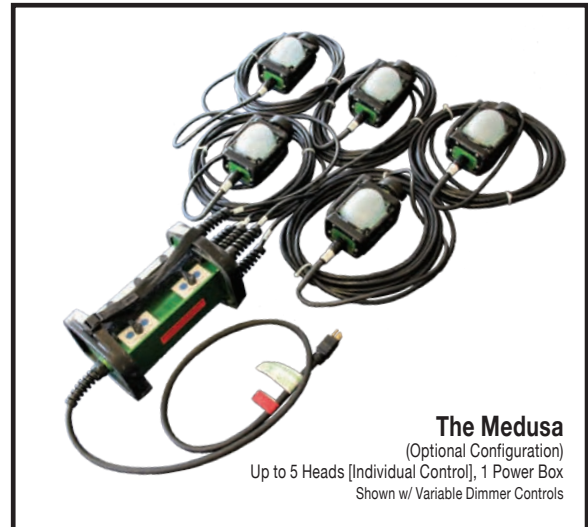


CONFIGURATIONS & MOUNTING

The BRICKette™ packs a level of versatility and durability like no other hand-held work light. Because of its compact size, we have the flexibility to power up to five lights from one power box. The handles are purpose built; providing better ergonomics and maybe used as a stand or a mount.

The BRICKette™: 2106 LED- Explosion Proof Work Light

July 2017



THE STRINGER

Optional Configuration of The BRICKette™

Designed + Manufactured in America



The BRICKette™: 2106 LED- Explosion Proof Work Light

January 2017



Multiple Mounting Options

Magnetic, Solid, or Slotted Handles- (See The BRICKette™ Datasheet for more info)



The STRINGER
(Optional Configuration)
Up to 5 Heads [in a Row]
1 Power Box



Product Features

- ▶ **Approved for:** Class I, Div 1 & 2, Group C & D
- ▶ **Approved for:** Class II, Div 1 & 2, Group E, F, & G
- ▶ **Approved for:** CSA Zones 1 & 2; Zones 20, 21, & 22
- ▶ **Conforms to:** UL Stds 153, 8750, 844;
- ▶ **Certified to:** CSA Stds C22.2#s 12, 25, 30, 137, 250.13
- ▶ **Suitable for Wet Location Use:** Type 6P
- ▶ **Certified:** Portable Luminary
- ▶ **Temperature Rating:** T-code: T5 (-25° to +40°C)
- ▶ **LED Color:** ~6000K, CRI >70
- ▶ **Rated with optics:** 26,000 lux at 1'
- ▶ **Rated with optics:** >2,500 lumens
- ▶ **Reflective Optic Beam Angle:** 60°
- ▶ **Light Head Power:** 21VDC, 800mA, LVLE
- ▶ **Weight:** 3.5 lbs (light head only) | 4.2-5.3 lbs (light head with handle)
- ▶ **Dimensions:** 6"L x 2.9"W x 2.3"H
- ▶ **Protection:** Polyurethane Bumper
- ▶ **Accessories:** Blast Shields, Dome Diffuser, Overspray Protection Bags
- ▶ **Variable Mounting Options:** Magnetic, Solid and Slotted Handles (High & Low Profiles, Short and Long Handles)



The STRINGER

Proven Applications:

- Airline Manufacturing
- Paint Booths
- Ship Building & Repair
- Oil Refineries
- Chemical Processing

THE BRICK™

by WESTERN TECHNOLOGY

Designed + Manufactured in the USA



Model 9610 - Portable Explosion Proof LED Tank/Area Light

October 2017

The BRICK™ Accessories

Product Protection, Light Dispersement, Multi-functional Applications



Blast Shield



Roll Top Anti-Glare Diffuser



High Dome Diffuser



The Body Wrap



Resin Case



Paint Overspray Bags



Replacement Blast Shields (12 Pack)



Product Features

- ▶ **Approved for:** Class I, Div 1 & 2, Group C & D
- ▶ **Approved for:** Class II, Div 1 & 2, Group E, F, & G
- ▶ **Approved for:** CSA Zones 1 & 2; Zones 20, 21, & 22
- ▶ **Conforms to:** UL Stds 153, 781, 844;
- ▶ **Certified to:** CSA Stds C22.2#s 12, 25, 137
- ▶ **Suitable for Wet Location Use**
- ▶ **Certified:** Portable Luminaire (Portable Luminaire)
- ▶ **Temperature Rating:** T-code: T5 (-20°C to +40°C); T4 (-20°C to +100°C)
- ▶ **LED Color:** ~6000K, CRI >70
- ▶ **Rated with optics:** 50,000 lux at 1'
- ▶ **Rated with optics:** >11,500 lumens
- ▶ **Reflective Optic Beam Angle:** 60°
- ▶ **Light Head Power:** 36 VDC, 2-3A
- ▶ **Weight:** 10 lbs (light head only)
- ▶ **Dimensions:** 10"L x 5"W x 4"H
- ▶ **Protection:** Polyurethane Bumper
- ▶ **Accessories:** Blast Shields, Dome Diffusers, Body Wrap, etc... (See Above)
- ▶ **Multiple Mounting Options:** Mechanical/Magnetic mounting (See Back)



The BRICK™ shown lighting Fuel Tank

MULTIPLE MOUNTING OPTIONS

The BRICK™ is designed with mounting plates on four sides of the light body to facilitate versatile magnetic or mechanical mounting and connection options specifically engineered for this light.

Model 9610 - Portable Explosion Proof LED Tank/Area Light

October 2017



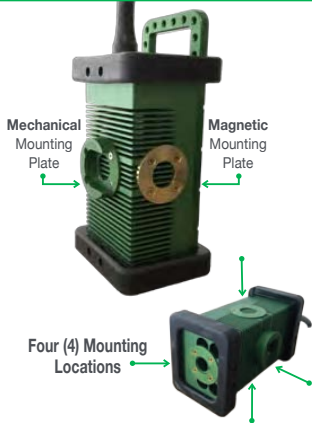
STANDS & MOUNTS

Various stands & mounting options specially built and available for use with The BRICK™: 9610 LED - Explosion Proof Area Light.



The BRICK™: 9610 LED - Mounting Spec Sheet

December 2016



Magnetic/Magnetic:
Multi-Position Knuckle



Magnetic/Mechanical:
Multi-Position Knuckle



Mechanical/Mechanical:
Multi-Position Knuckle



Quad-Pod & Hand-Cart/
Magnetic: Multi-Pos. Knuckle



Quad-Pod & Hand-Cart/
Mechanical: Multi-Pos. Knuckle

The BRICK™ is designed with mounting plates on four sides of the light body to facilitate versatile magnetic or mechanical mounting and connection options specifically engineered for this light. Designed to work in combination with the stands & mounts available from Western Technology.

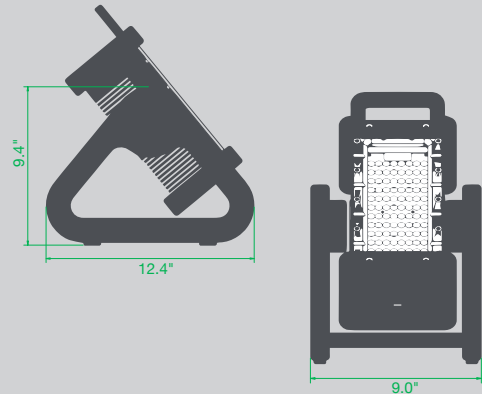


A-Frame Mount

A-FRAME MOUNT

Our A-Frame Mount is designed and built to provide a smaller, lower profile & wider base for extra stability. Easily adjust & reposition the beam angle giving the user better productivity.

- ▶ Machined out of solid blocks of aluminum providing superior durability.
- ▶ Comes with black polyurethane bumpers for area protection & stability.
- ▶ Built to use with either mechanical or magnetic mounting plates

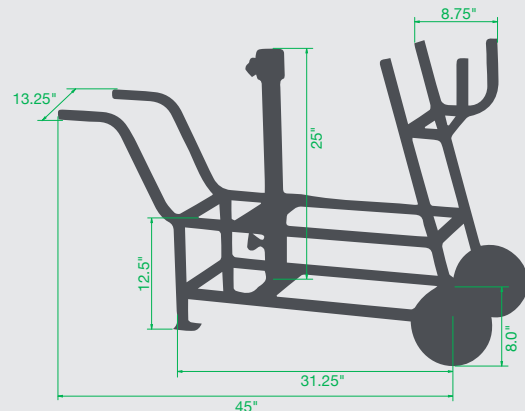


Hand Cart Mount
[Shown w/ 2 BRICKs,
Double Light Mount (Yoke)
& Mechanical Knuckles]

HAND CART MOUNT

This free-standing mount comes with wheels, handles and a place to hold those heavy cords. You can wheel those BRICKs right into position.

- ▶ Built with non-sparking aluminum and stainless steel components throughout
- ▶ Add the "Yoke" Mount to provide 2 mounting locations for more than one BRICK™.
- ▶ We recommend our multi-position knuckles for multi-directional lighting.



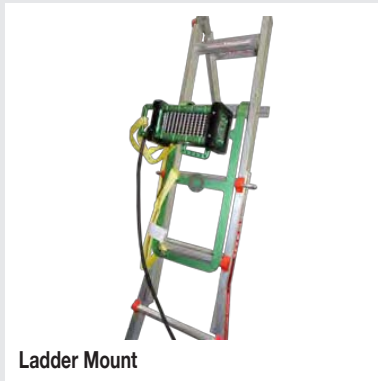


Magnetic Puck Mount



Magnetic Pipe Mount: (Magnetic Mounting Plate)

Magnetic Pipe Mount: (Mechanical Mounting Plate)

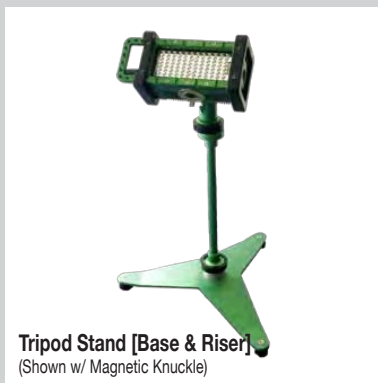
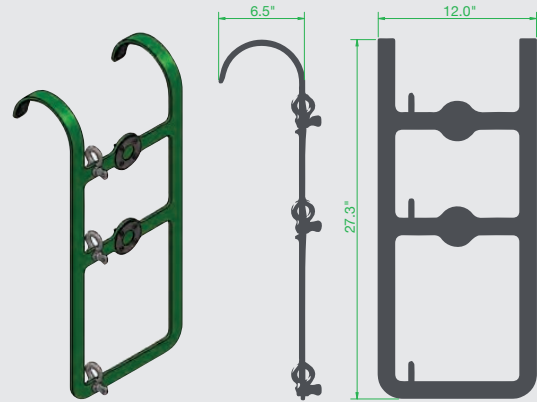


Ladder Mount

HAND RAIL/LADDER MOUNT

Use the Ladder Mount to easily hang your BRICK to any ladder or hand rail.

- ▶ Built with non-sparking aluminum and stainless steel components throughout
- ▶ Rubber strip backing for better grip.
- ▶ 2 mounting locations
- ▶ 3 shackles for safety strap, providing added protection.

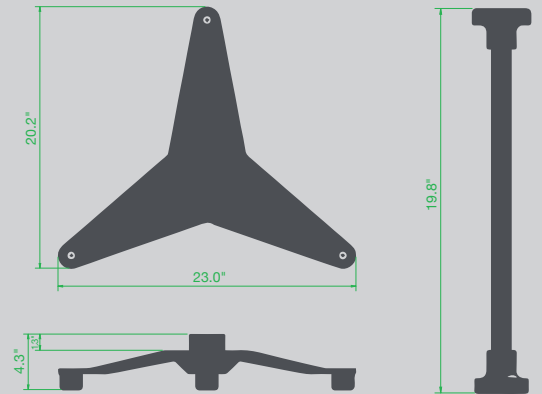


Tripod Stand [Base & Riser]
(Shown w/ Magnetic Knuckle)

TRIPOD STAND (BASE & RISER)

Tripod stand includes the base & riser. Use separate or magnetically connect them together.

- ▶ Built with non-sparking aluminum and stainless steel components throughout
- ▶ Magnetic connectors allow for easy mounting.
- ▶ Polyurethane bumpers and foot pads for extra protection and stability.



Quad Pod Stand
(Shown w/ Magnetic Knuckle)
Folds to 64" - Extends to 95"

QUAD POD STAND

At Western Technology we understand the demanding and even brutal environments where you work. Our Quad Pod stand is designed and built to take the abuse so you can focus on your work.

- ▶ Built with non-sparking aluminum and stainless steel components throughout
- ▶ Lightweight and compact; stand folds to 64" inches and extends to 95"

