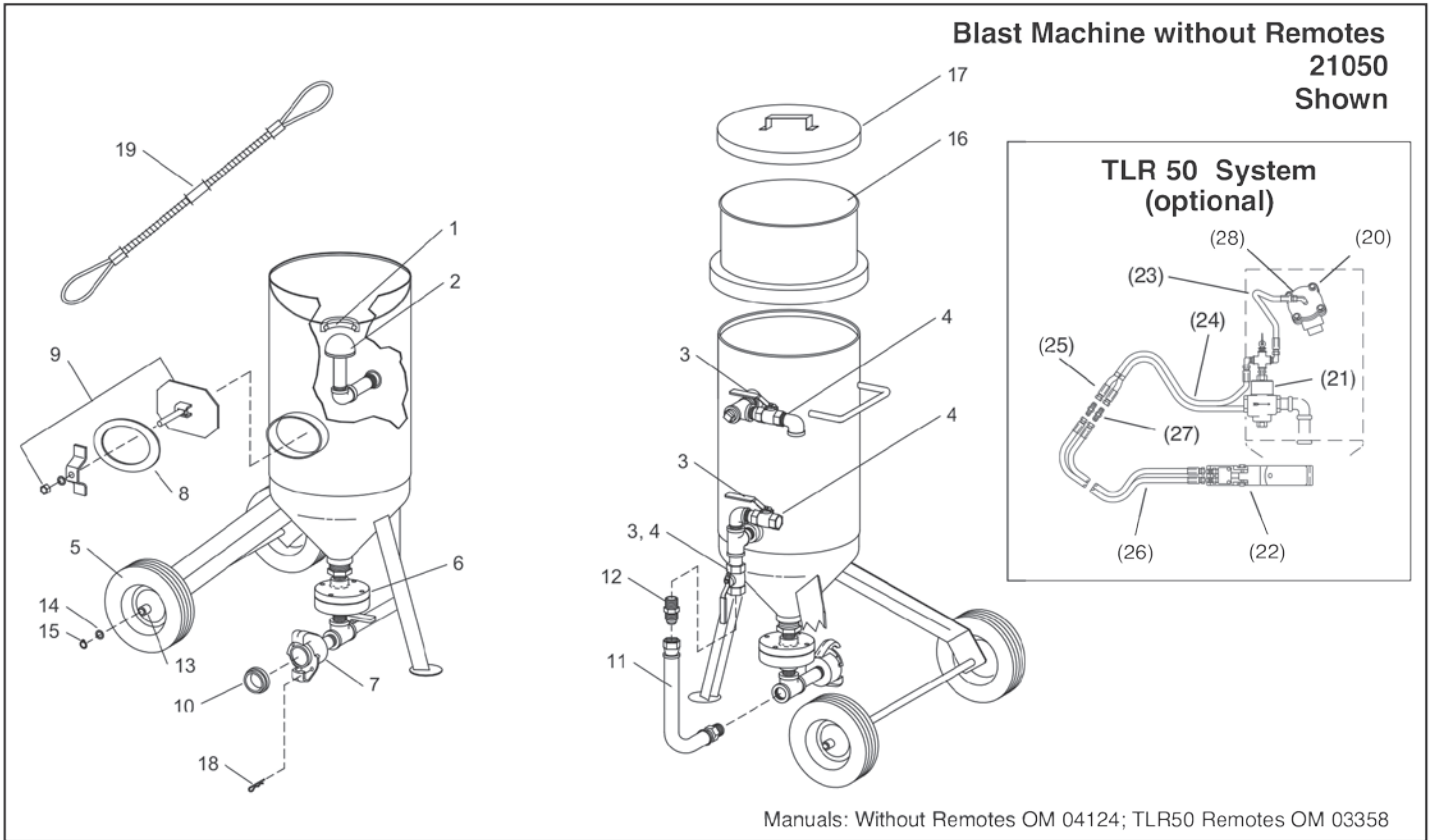


PARTS FOR 0.5 CUFT & 1 CUFT CLASSIC BLAST MACHINES

PARTS AND ACCESSORIES



**Model 1028 (0.5 cuft) & 1042 (1 cuft)
Classic Blast Machine, with 1/2" piping**

Description	Stock No.
1. Seal, pop-up, rubber	01245
2. Pop-up valve and shaft, 2" opening	01242
3. Handle, 1/2" ball valve	01252
4. Valve, 1/2" NPT ball w/ handle	01241
5. Wheel, 6" diameter, rubber tire	02326
6. MSV abrasive metering valve	01247
7. Coupling, CFA-1/2, 1/2" NPT alum.	00558
8. Gasket, inspection door, 3" x 4"	01249
9. Inspection door assembly, 3" x 4"	01267
10. * Gaskets, CQG, for 00558, pk of 10	00850
11. Replacement pusher line, coupled, 3/4" ID, for 1/2" piping 11" nominal - model 1028 ..24621 19" nominal - model 1042 ..24622	
(-) Flexible pusher line conversion kit for 1028 ..25724 for 1042 ..24622	

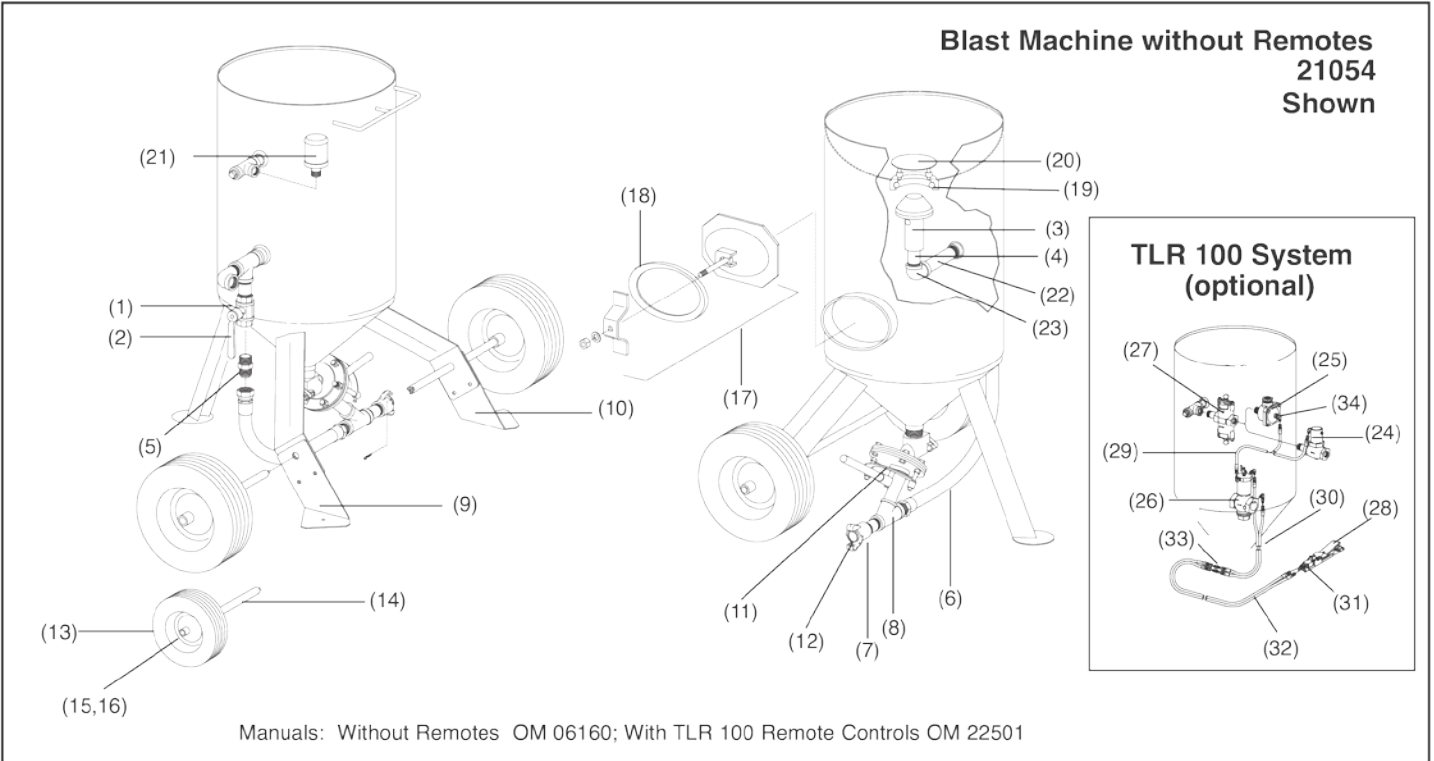
Description	Stock No.
12. Adaptor, 1/2" NPT x 3/4 JIC	25084
13. Axle	02404
14. Washer, 3/4" thrust	03804
15. Retaining ring	03805
16. * Screen, 10" dia.	03362
17. * Cover, 10" dia.	03107
18. * Lock pin, coupling, pk of 25	11203
19. Safety cable, 1/2" to 1-1/4" OD hose	15012

TLR 50 System (components listed below)

20. Outlet valve, 1/2" diaphragm	02512
21. Inlet valve, 1/2"	02164
22. RLX control handle	10565
23. Hose, 3/16" x 18"	02454
24. Hose, 3 ft. twinline	02240
25. Hose end, reusable	01943
26. Hose, 25 ft. twinline	02128
27. Union, hose	01944
28. Elbow, 1/4" adaptor	02513

*Optional item

PARTS FOR 2 CUFT CLASSIC BLAST MACHINE



PARTS AND ACCESSORIES

**Model 1642 (2 cuft)
Classic Blast Machine, with 1" piping**

Description	Stock No.
1. Ball valve with handle, 1-inch NPT	02396
2. Handle, 1" ball valve	22531
3. Pop-up valve, 4" with external sleeve	03699
4. Internal pop-up guide toe nipple 1-1/4" x 6-1/2"	01754
5. Adaptor, male NPT x male JIC 1" NPT	11720
6. Replacement flexible pusher line, coupled, 1" ID x 21"	22508
(-) Flexible pusher line conversion kit	23875
7. Coupling, 1-1/4" CF	00551
8. Wye, 1-1/4" standard	01818
9. Leg pad, right, stationary	20735
10. Leg pad, left, stationary	20736
11. Metering valve, FSV w/ wye	02427
12.* Gasket, CQG coupling, for 00551 (pkg of 10)	00850
13. Wheel and tire, 10 x 2.75	20349

Description	Stock No.
14. Axle, 10" Wheel	20734
15. Washer, 1" thrust	03825
16. Retaining ring, 1"	03824
17. Inspection door assembly 6" x 8"	02377
18. Gasket, 6" x 8" inspection door	02369
19. Seat, pop-up gum rubber	02325
* neoprene, hot climates	02380
20.* Umbrella, 4" bolt-on	02318
21. Muffler, exhaust	05068
22. Nipple	01722
23. Elbow	01769

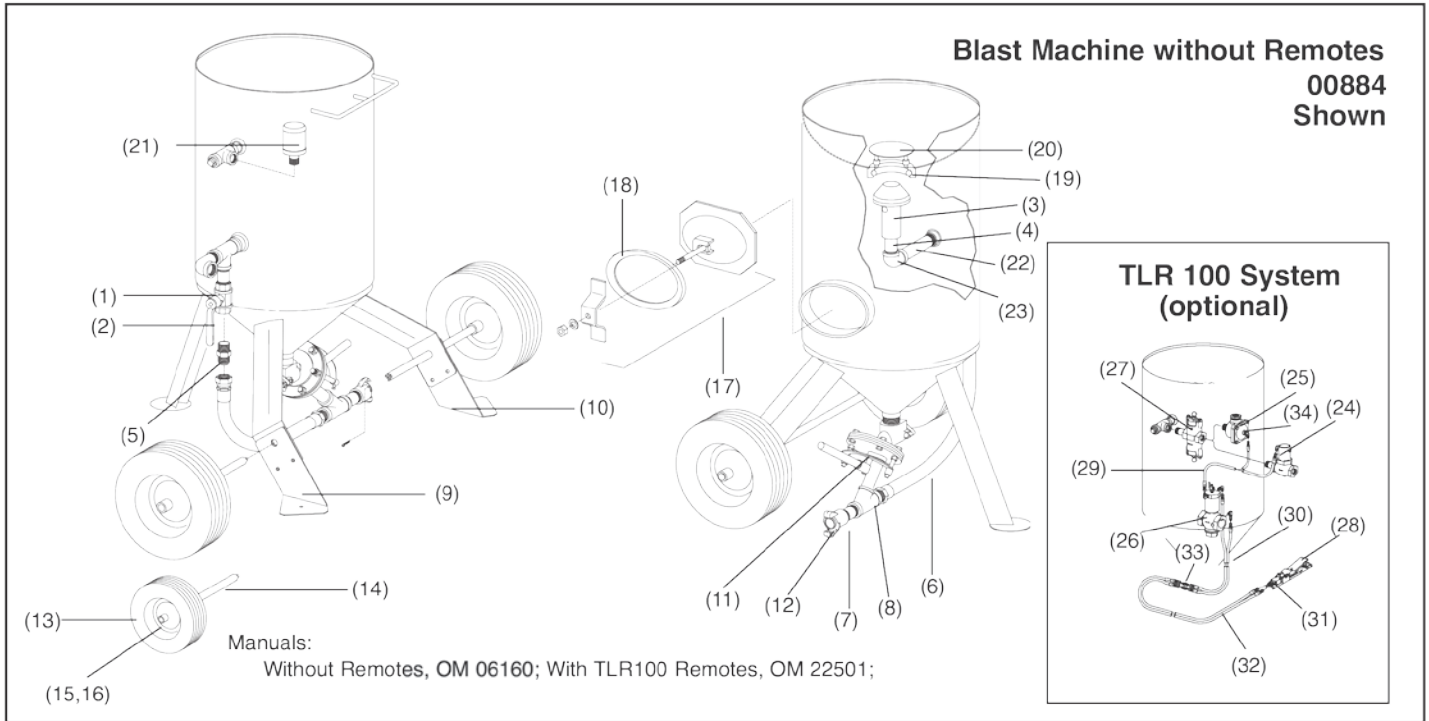
TLR 100 System (components listed below)*

24. Outlet valve, 1" piston	01967
25. Outlet valve, 1" diaphragm	03371
26. Inlet valve, 1"	01980
27. Abrasive trap	02011
28. RLX control handle	10565
29. Hose, 3/16" x 18"	02454
30. Hose, 5 ft. twinline	01952
31. Hose end, reusable	01943
32. Hose, 50 ft. twinline	01951
33. Union, hose	01944
34. Elbow, 1/4" adaptor	02513

*Optional item

PARTS FOR 3 CUFT & 6 CUFT CLASSIC BLAST MACHINE WITH 1" PIPING

PARTS AND ACCESSORIES



Model 1648 (3 cuft), 2443 (6 cuft) & 2452 (6 cuft) Classic Blast Machine, w/ 1" piping

Description	Stock No.
1. Ball valve w/handle, 1-inch NPT	02396
2. Handle, 1" ball valve,	22531
3. Pop-up valve, 4" with external sleeve	03699
4. Internal pop-up guide toe nipple 3 cuft; 1-1/4" x 6-1/2"	01754
6 cuft; 1-1/4" x 6"	01753
5. Adaptor, male NPT x 1" m-flare	11720
6. Replacemen flexible pusher line, coupled hose only 1" ID x 28"	23673
Lo-Pot 1" ID x 19"	24167
(-) Flexible pusher line conversion kit for 1648 and 2452	23873
for 2443	27503
7. Coupling, 1-1/4" CF	00551
8. Wye, 1-1/4" standard	01818
9. Leg pad, right	03654
10. Leg pad, left	03655
11. Metering valve, FSV w/ wye	02427
LPV	05680
12.* Gasket, CQG coupling, for 00551 (pk of 10)	00850
13. Wheel and tire, 16 x 400	20427

Description	Stock No.
14. Axle and 16" wheel set 3 cuft	02822
6 cuft	02350
15. Washer, 1" thrust	03825
16. Retaining ring, 1"	03824
17. Inspection door assembly, 6" x 8"	02377
18. Gasket, 6" x 8" inspection door	02369
19. Seat, pop-up, 4" ID x 5-1/2" OD gum rubber, standard	02325
* neoprene, hot climates	02380
20.* Umbrella, 4" bolt-on	02318
21. Muffler, exhaust	05068
22. Nipple, 3 cuft	01722
Nipple, 6 cuft	01726
23. Elbow	01769

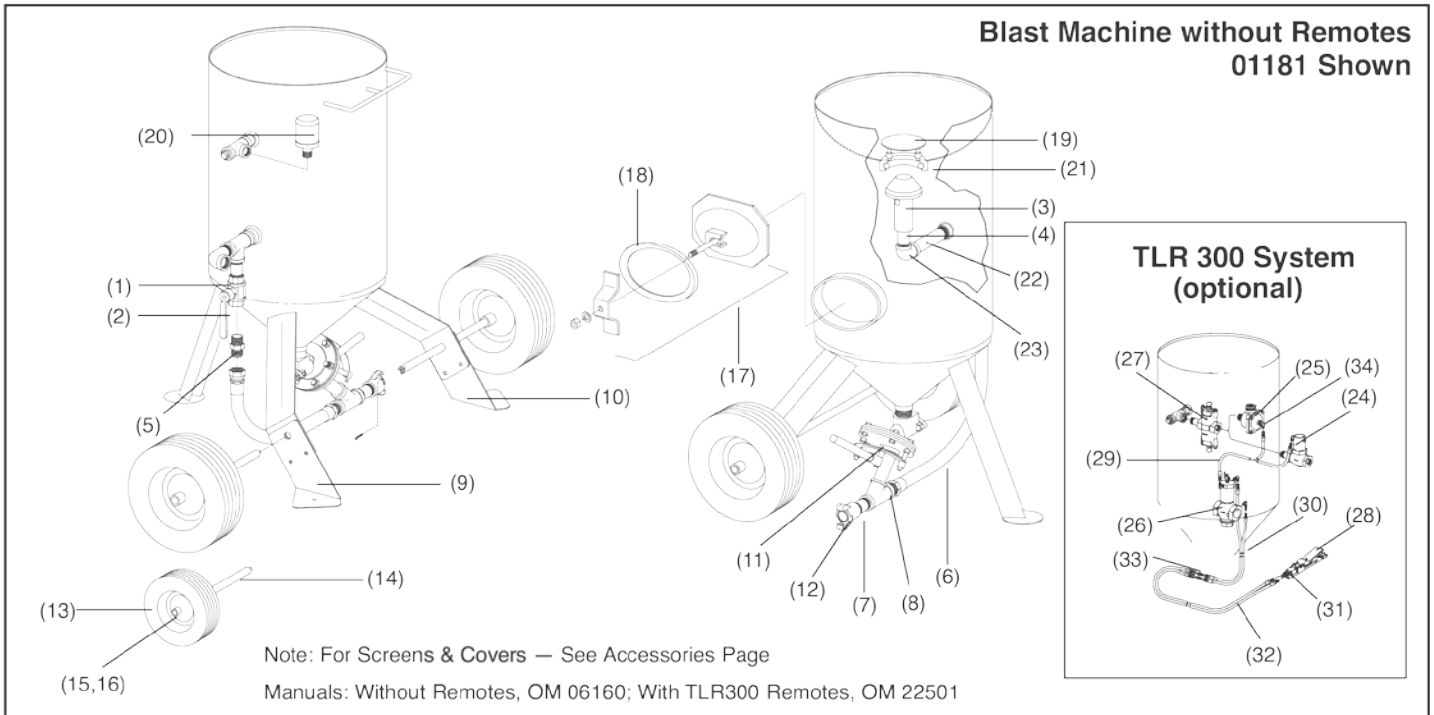
TLR 100 System (components listed below)*

24. Outlet valve, 1" piston	01967
25. Outlet valve, 1" diaphragm	03371
26. Inlet valve, 1"	01980
27. Abrasive trap	02011
28. RLX control handle	10565
29. Hose, 3/16" x 18" cpld	02454
30. Hose, 5 ft. twinline, cpld	01952
31. Hose end, reusable	01943
32. Hose, 50 ft. twinline cpld	01951
33. Union, hose	01944
34. Elbow, 1/4" adaptor	02513

*Optional item

PARTS FOR 3 CUFT & 6 CUFT CLASSIC BLAST MACHINES WITH 1-1/4" PIPING

PARTS AND ACCESSORIES



3 cuft and 6 cuft Classic Blast Machines w/ 1-1/4" piping

Description	Stock No.
1. Ball valve w/handle, 1-1/4" NPT	02397
2. Handle, 1-1/4", ball valve	22532
3. Pop-up valve, 4" w/external sleeve	03699
4. Internal pop-up guide toe nipple 3 cuft: 1-1/4" x 6-1/2"	01754
6 cuft: 1-1/4" x 6"	01753
5. Adaptor, male NPT x 1-1/4" m-flare	22529
6. Replacement flexible pusher line, coupled hose only: 1-1/4" ID x 28	23674
Lo-Pot: 1-1/4" ID x 19"	24168
(-) Flexible pusher line conversion kit. for 1648 & 2452	23874
for 2443 Lo-Pot	27504
7. Coupling, 1-1/4" CF	00551
8. Wye, 1-1/4" standard	01818
9. Leg pad, right	03654
10. Leg pad, left	03655
11. Metering valve, FSV w/ wye	02427
LPV	05680
12.* Gasket, CQG coupling, (pk of 10)	00850
13. Wheel & tire, 16 x 400	20427
14. Axle & 16" wheel set 3 cuft	02822
6 cuft	02350
15. Washer, 1" thrust	03825

Description	Stock No.
16. Retaining ring, 1"	03824
17. Inspection door assembly, 6" x 8"	02377
18. Gasket, inspection door	02369
19.* Umbrella, 4" bolt-on	02318
20. Muffler, exhaust	05068
21. Seat, pop-up gum rubber, standard	02325
* neoprene, hot climates	02380
22. Nipple, 3 cuft	01722
Nipple, 6 cuft	01726
23. Elbow	01769

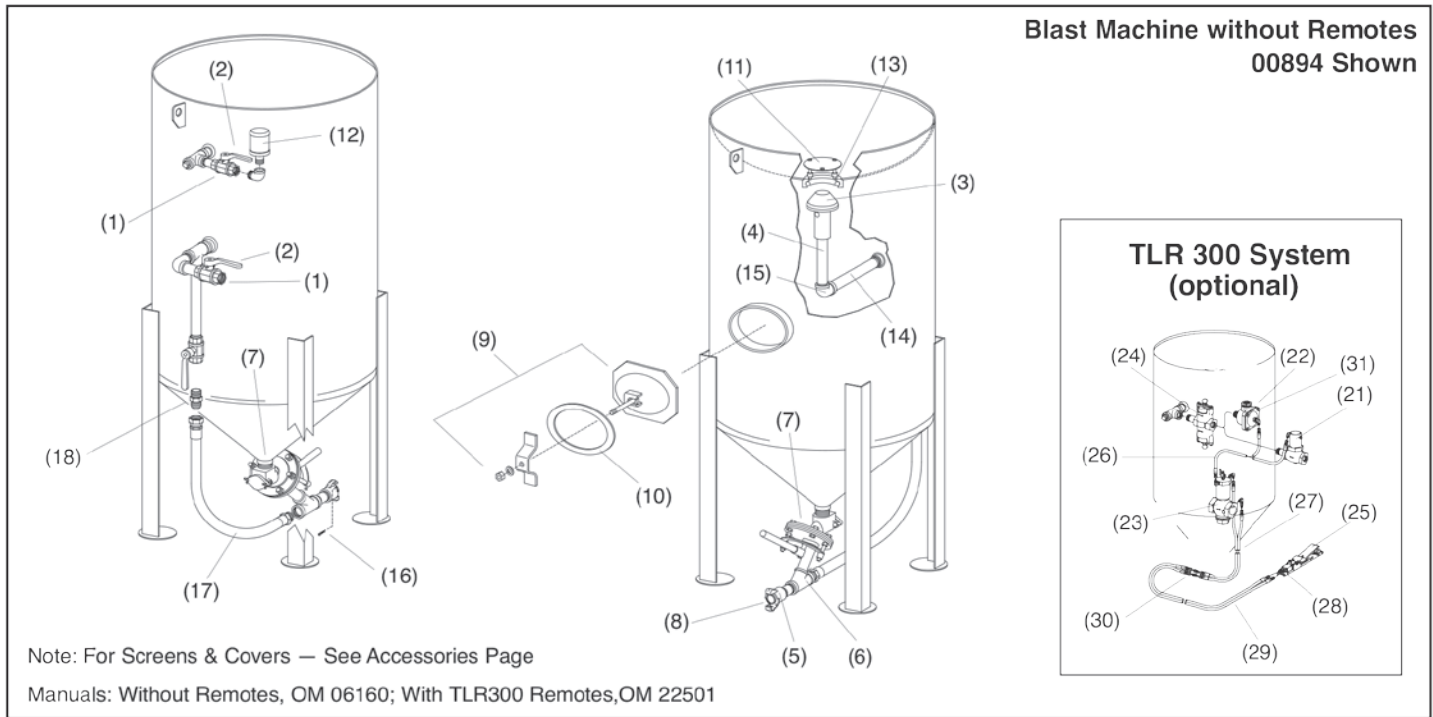
TLR 300 System (optional, components listed below)

24. Outlet valve, 1" piston	01967
25. Outlet valve, 1" diaphragm	03371
26. Inlet valve, 1-1/2"	01995
27. Abrasive trap	02011
28. RLX control handle	10565
29. Hose, 3/16" x 18" cpld	02454
30. Hose, 5 ft. twinline cpld	01952
31. Hose end, reusable	01943
32. Hose, 50 ft. twinline cpld	01951
33. Union, hose	01944
34. Elbow, 1/4" adaptor	02513

*Optional item

PARTS FOR 7 CUFT TO 20 CUFT CLASSIC BLAST MACHINES WITH 1-1/4" PIPING

PARTS AND ACCESSORIES



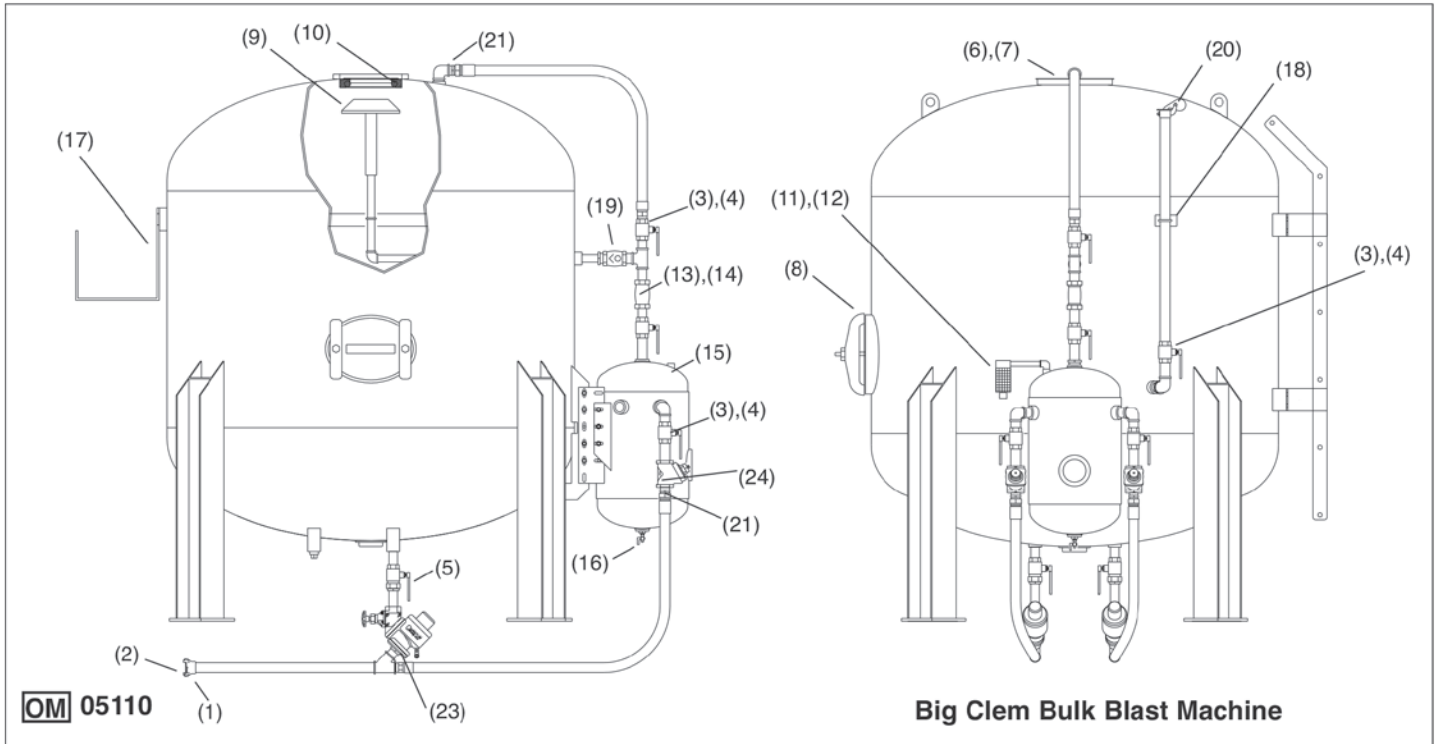
7 cuft and larger Classic Blast Machines w/ 1-1/4" piping

Description	Stock No.
1. Ball valve w/handle, 1-1/4" NPT	02397
2. Handle, 1-1/4", ball valve	22532
3. Pop-up valve, 4" w/external sleeve	03699
4. Internal pop-up guide toe nipple	
7 cuft: 1-1/4" x 5"	01752
10 cuft: 1-1/4" x 6"	01753
20 cuft: 1-1/4" x 9-1/2"	01757
5. Coupling, 1-1/4" CF	00551
6. Wye, 1-1/4" standard	01818
7. Metering valve, FSV w/ wye	02427
8.* Gasket, CQG coupling, (pk of 10)	00850
9. Inspection door assembly, 6" x 8"	02377
10. Gasket, inspection door	02369
11.* Umbrella, 4" bolt-on	02318
12. Muffler, exhaust	05068
13. Seat, pop-up gum rubber, std. use	02325
* neoprene, hot climates	02380

Description	Stock No.
14. Nipple, 7 cuft, 1-1/4" x 13-1/2"	20234
Nipple, 10 & 20 cuft, 1-1/4" x 16-1/2"	21739
15. Elbow	01769
16. Lock pin, coupling, pk of 25	11203
Note: To convert to flexible pusher line, order No. 17 and 18	
17. Replacement flexible pusher line	
8 cuft machines, 1-1/4" x 28"	23674
7, 10, 20, cuft machines, 1-1/4" x 31"	23675
18. Adaptor, 1-1/4" flare	22529
TLR 300 System (optional, components listed below)	
21. Outlet valve, 1" piston	01967
22. Outlet valve, 1" diaphragm	03371
23. Inlet valve, 1-1/2"	01995
24. Abrasive trap	02011
25. RLX control handle	10565
26. Hose, 3/16" x 18" cpld	02454
27. Hose, 5 ft. twinline cpld	01952
28. Hose end, reusable	01943
29. Hose, 50 ft. twinline cpld	01951
30. Union, hose	01944
31. Elbow, 1/4" adaptor	02513
*Optional item	

PARTS FOR BIG CLEM BULK BLAST MACHINES

PARTS AND ACCESSORIES



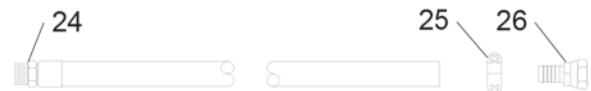
Big Clem Bulk Blast Machine, 1-1/4" piping

Description	Stock No.
1. Coupling, 1-1/4" thrd00551
2. Gasket, coupling, pk of 1000850
3. Ball valve w/ handle, 1-1/4"02397
4. Handle, 1-1/4" ball valve22532
5. Union/ball valve, 1-1/4"22532
6. Cover, fill port05644
7. Screen, fill port05645
8. Gasket, manway door20184
9. Pop-up valve w/stem, 8"05643
10. Seal, 8" pop-up seat05641
11. Air filter, 1/2"03987
12. Element, 1/2" filter03986
13. Compression coupling, 1-1/4"01857
14. Gasket, 1-1/4" compression coupling01886
15. Water separator tank, 16"	25753
16. Petcock, 1/4"01993
17. Hanger, hose05158
18. U-bolt 5/16"03276
19. Check valve, 1-1/4"02088
20. Rain cap20829
21. Adaptor, 1-1/4" NPT x JIC22529
22. AQV Quantum Valve24447

Description	Stock No.
23. Fitting, 1-1/4" NPT male x 1-1/4" barb22777
24. Fitting, female JIC swivel x 1-1/4" barb22778
25. Clamp, 1-3/4" to 2-3/64"	..25286
26. Hose Assembly (pusher line and air line)25728

(26) Hose Assembly

Item 23 male fitting is factory installed.
Cut uncoupled end of hose to required length.
Insert item 24 female fitting and bolt on item 25 clamp.



Options/Accessories

- (-) Lock pin, coupling
pk of 2511203
- (-) Safety cable,
1-1/2" to 3" OD hose15013
- (-) Hose ID kit, two outlet15890
- (-) Hose ID kit, four outlet15891

CLASSIC BLAST MACHINE ACCESSORY PACKAGES

Accessory Packages

Description	Stock No.
.5 and 1 cuft (10" diam; 1/2" Piping) Classic Package consists of: 1/2" air filter w/manual drain; 25 ft x 1/2" ID 2-braid blast hose coupled with CHE-1/2 aluminum nozzle holder and CQA-1/2 aluminum coupling; CT-4 nozzle; blast hose safety cable; 10" blast machine screen; 1 pair leather gloves; 8 nylon ties; 3 outlet valve diaphragms; pack of 10 coupling gaskets; pack of 10 nozzle washers.27410
2 and 3 cuft (16" diam; 1" Piping) Classic Package consists of: 1" air filter w/manual drain; 50 ft x 1" Supa blast hose coupled w/ NHP-1 nylon nozzle holder and CQPS-1 nylon coupling; TMP-5 nozzle; blast hose safety cable; 16" blast machine screen; 1 pair leather gloves; Apollo 60/600 perforated outer lenses, pack of 25; Apollo 60/600 intermediate lenses, pack of 5; 8 nylon ties; CQGP-2 coupling gaskets, pack of 10; NW-25 nozzle washers, pack of 10; 6 abrasive trap screens.24194
3 cuft (16" diam; 1-1/4" Piping) Classic Package consists of: 1-1/2" air filter w/manual drain; 50 ft x 1-1/4" Supa hose coupled w/ NHP-2 nylon nozzle holder and CQPS-2 nylon coupling; TXP-6 nozzle; blast hose safety cable; 16" blast machine screen; 1 pair leather gloves; Apollo 60/600 perforated outer lenses, pack of 25; Apollo 60/600 intermediate lenses, pack of 5; 8 nylon ties; CQGP-3 coupling gaskets, pack of 10; NW-32 nozzle washers, pack of 10; 6 abrasive trap screens.24195
Description	Stock No. Price Disc. Wt.
6 cuft (24" diam; 1" Piping) Classic Package consists of: 1" air filter w/manual drain; 50 ft x 1" Supa blast hose coupled w/NHP-1 nylon nozzle holder and CQPS-1 nylon coupling; TMP-5 nozzle; blast hose safety cable; 24" blast machine screen; 1 pair leather gloves; Apollo 60/600 perforated outer lenses, pack of 25; Apollo 60/600 intermediate lenses, pack of 5; 8 nylon ties; CQGP-2 coupling gaskets, pk of 10; NW-25 nozzle washers, pk of 10; 6 abrasive trap screens.24196
6 and 8 cuft (24" diam; 1-1/4" Piping) Classic Package consists of: 1-1/2" air filter w/manual drain; 50 ft. x 1-1/4" Supa hose coupled w/ NHP-2 nylon nozzle holder and CQPS-2 nylon coupling; TXP-6 nozzle; blast hose safety cable; 24" blast machine screen; 1 pair leather gloves; Apollo 60/600 perforated outer lenses, pack of 25; Apollo 60/600 intermediate lenses, pack of 5; 8 nylon ties; CQGP-3 coupling gaskets, pack of 10; NW-32 nozzle washers, pack of 10; 6 abrasive trap screens.22553

7 cuft (30" diam; 1-1/4" Piping) Classic Package consists of: 1-1/2" air filter w/manual drain; 50 ft x 1-1/4" Supa blast hose coupled w/NHP-2 nylon nozzle holder and CQPS-2 nylon coupling; TXP-6 nozzle; blast hose safety cable; 30" blast machine screen; 1 pair leather gloves; Apollo 60/600 perforated outer lenses, pack of 25; Apollo 60/600 intermediate lenses, pack of 5; 8 nylon ties; quick coupling gaskets, pack of 10; NW-32 nozzle washers, pack of 10; 6 abrasive trap screens.25066
10 and 20 cuft (36" diam; 1-1/4" Piping) Classic Package consists of: 1-1/2" air filter w/manual drain; 50 ft x 1-1/4" Supa blast hose coupled w/NHP-2 nylon nozzle holder and CQPS-2 nylon coupling; TXP-6 nozzle; blast hose safety cable; 36" blast machine screen; 1 pair leather gloves; Apollo 60/600 perforated outer lenses, pack of 25; Apollo 60/600 intermediate lenses, pack of 5; 8 nylon ties; quick coupling gaskets, pack of 10; NW-32 nozzle washers, pack of 10; 6 abrasive trap screens.25067
Big Clem Package (all models) (for one operator) consists of: 50 ft x 1-1/4" Supa blast hose coupled, TXP-6 nozzle; blast hose safety cable, 1 pair leather gloves, Apollo 60/600 perforated outer lenses, pack of 25; Apollo 60/600 intermediate lenses, pack of 5; 8 nylon ties; quick coupling gaskets, pack of 10; NW-32 nozzle washers, pack of 10.25069



BLAST MACHINE AIR FILTERS

Compressed-Air Coalescent Filters

High-volume Coalescent Filter (portable, 10" Diam.) OM 23109 Stock No.
800 cfm, 150 psi, with 2" inlet, 2" outlet23108
2" I.D. ball valve and handle for 2310802368

In-line Coalescent Filter (can be used with upstream air filter in high-humidity environment)

200 cfm, auto-drain, 150 psi, fits 3/4" to 1-1/4" piping23748
Filter element.....23749

Note: With frequent vendor redesigns beyond our control, we no longer inventory replacement bowls for Watts or SMC filters. For replacements, contact your local Watts or SMC distributor.

*Items listed below carry Discount Code "D"
except Stock No. 01308 = "F" **Stock No. Stock No. Stock No.**

SMC Air Filters	1/2-inch	1-inch	1-1/2-inch
Air filter with manual drain	01308*	22424	22363
Air filter with auto drain	21684	22425	22364
SMC Parts			
Filter element		22418	22368
Seal kit, includes: All o-rings and gaskets		22417	22367

Norgren Air Filters	1-inch	1-1/2-inch	2-inch
Air filter with manual drain		01284	01285
Air filter with auto drain		01282	01283

Norgren Parts			
Bowl assembly with manual drain	01297		
Bowl assembly with manual drain (bayonet-mount)		21845	21845
Bowl assembly with auto drain (bayonet-mount)		21846	21846
Filter element	01292	01287	01287
Louver	01291		
Repair kit, includes: Upper gasket; lower gasket; retainer gasket; louver and bowl o-ring	01299		
Gasket and o-ring kit		01286	01286
Baffle assembly	01294		
Retainer	01300		
Manual drain petcock	01325		
Manual drain assembly	01331		
Insert, manual drain	01296		
Auto drain assembly	01322	01322	01322

PARTS AND ACCESSORIES

POP-UP VALVES FOR CLEMCO BLAST MACHINES AND BIG CLEMS

FOR 14-INCH THROUGH 36-INCH DIAMETER BLAST MACHINES

To determine appropriate pop-up valve, measure the diameter of the opening in the blast machine head; and also determine if the machine has single- or dual-inlet piping. Machines with dual-inlet piping have an external pipe connecting inlet and outlet piping and were manufactured prior to June 1983.

4-INCH BLAST MACHINE HEAD OPENING

Current Models

Single-inlet piping: Pop-up valve has aluminum sleeve that fits over 1-1/4" internal pipe.

Description	Stock No.
Pop-up valve	03699
Pop-up valve, Soft King	21769
Pop-up valve seat*	02325
Pop-up valve seat* (neoprene) ..	02380

*Seat dimensions: 4" ID x 5.5" OD

Old-Style Models

Dual-inlet piping: Pop-up valve has 1/2" steel stem that fits inside 1" internal pipe.

Description	Stock No.
Pop-up valve	02321
Pop-up valve seat* (tan rubber)	02325
Pop-up valve seat* (black neoprene)	02380

*Seat dimensions: 4" ID x 5.5" OD

5-1/2-INCH BLAST MACHINE HEAD OPENING

Old-Style Models

Single-inlet piping: Pop-up valve has aluminum sleeve that fits over 1-1/4" internal pipe.

Description	Stock No.
Pop-up valve	03689
Pop-up valve seat**	02343

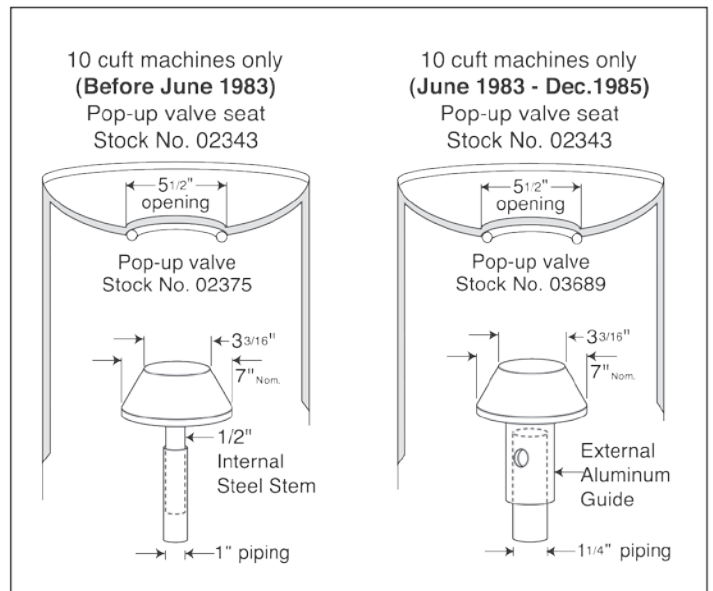
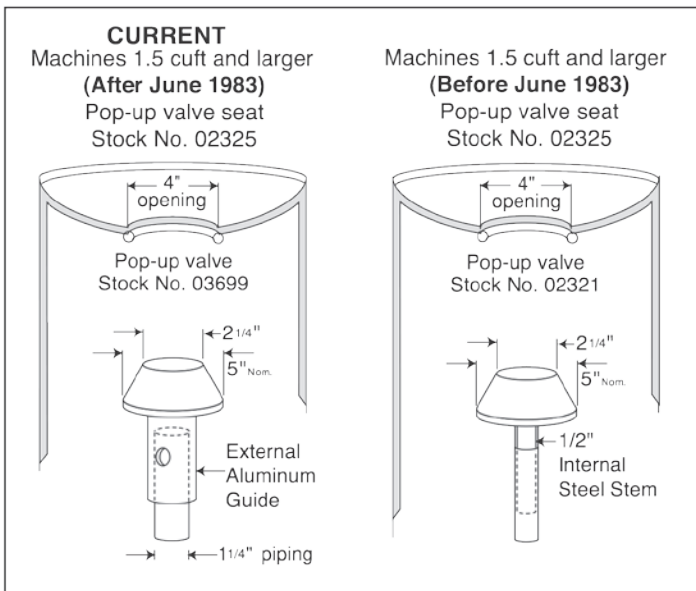
**Seat dimensions: 6" ID x 7.5" OD

Old-Style Models

Dual-inlet piping: Pop-up valve has 1/2" steel stem that fits inside 1" internal pipe.

Description	Stock No.
Pop-up valve	02375
Pop-up valve seat**	02343

**Seat dimensions: 6" ID x 7.5" OD



FOR 10-INCH DIAMETER BLAST MACHINES AND SUPER COMET

Current Models

Description	Stock No.
Pop-up valve	01242
Pop-up valve seat	01245

Seat dimensions: 1.35" ID x 2.125" OD

BIG CLEM POP-UP VALVE - Current Models

Description	Stock No.
Pop-up valve	05643
Pop-up valve seat	05641

Seat dimensions: 8" ID x 9.5" OD

BLAST MACHINE ACCESSORIES

Description	Stock No.
Pressure Regulators and Gauge	
1/2" 125 psi regulator (R)	01902
3/4" 125 psi regulator (NR)	01903
1" 125 psi regulator (NR).....	01904
1-1/2" 125 psi regulator (NR).....	01906
Repair kit for 01903, 01904, 01906	22824
Replacement gauge with bushing	11830
<i>Regulator Types: R = Relieving – NR = Non-Relieving</i>	

Anti-Freeze Injector	
To prevent control line freeze-up	05537

Steel Covers (Lids)	
10" diameter cover	03107
14" diameter cover	02334
16" diameter cover	02335
20" diameter cover	20358
24" diameter cover	02336
30" diameter cover	02337
36" diameter cover	28651

Description	Stock No.
Steel Screens	
10" diameter screen	03362
14" diameter screen	03098
16" diameter screen	03099
20" diameter screen	20357
24" diameter screen	03100
30" diameter screen	03101
36" diameter screen	02391

Blast Machine Moving Device	
Mule for 2 to 6 cuft Classic blast machines	20331

Poly Covers (Bags)	
Clemco logo bag, medium for 2 and 3 cuft machines	15097
Clemco logo bag, large for 4 and 6 cuft machines	15143

Safety Cables	
Hose safety cable for 1/2" to 1-1/4" OD hose.....	15012
Hose safety cable for 1-1/2" to 3" OD hose	15013
*Hose safety cable for 1-1/2" to 4" OD hose	27405