

PNEUMATIC PRESSURE-RELEASE REMOTE CONTROL SYSTEMS

NOTE: OSHA regulations require the use of remote controls on all abrasive blast machines. REF 29 CFR 1910.244 (B)

The following remote control systems are pressure-release style; they provide operator start/stop control at the nozzle, and allow the blast machine to depressurize, for refilling, each time the control handle is released.

Pneumatic Remote Controls with Piston Outlet Valve

Description Stock No.

TLR-100

1" remote control system. Includes 1" inlet valve, 1" piston outlet valve, RLX control handle, 50 ft. coupled twinline hose, abrasive trap and all required hoses and fittings01935

TLR-300

1-1/4" / 1-1/2" remote control system. Includes 1-1/4" / 1-1/2" inlet valve, 1" piston outlet valve, RLX control handle, 50 ft. coupled, twinline hose, abrasive trap and all required hoses and fittings ..01936

Pneumatic Remote Controls with Diaphragm Outlet Valve

Description Stock No.

TLR-50

1/2" remote control system. Includes 1/2" inlet valve, 1/2" diaphragm outlet valve, RLX control handle, 25 ft. coupled twinline hose and all required hoses and fittings02518

TLR-100D

1" remote control system. Includes 1" inlet valve, 1" diaphragm outlet valve, RLX control handle, 50 ft. coupled twinline hose, abrasive trap and all required hoses and fittings03449

TLR-300D

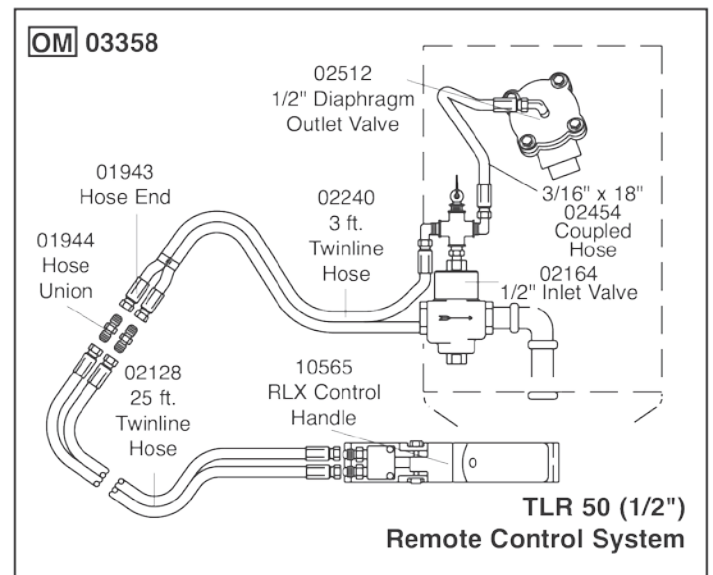
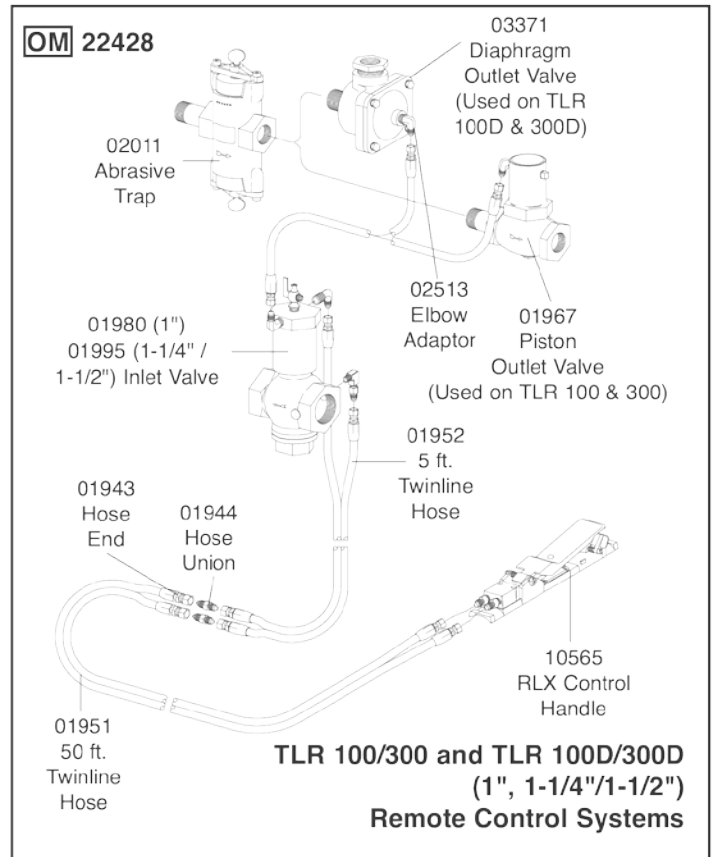
1-1/4" / 1-1/2" remote control system. Includes 1-1/4" / 1-1/2" inlet valve, 1" diaphragm outlet valve, RLX control handle, 50 ft. coupled twinline hose, abrasive trap and all required hoses and fittings ..03448

TLR to AQV Quantum ACS Conversion Kit

Includes: valve, 3/16" x 50 ft. hose, ACS switch assembly07682

Anti-Freeze Injector

To prevent control-line freeze-up05537



REMOTE CONTROLS & AIR VALVES

PNEUMATIC PRESSURE-RELEASE REMOTE CONTROL SYSTEMS WITH ACS

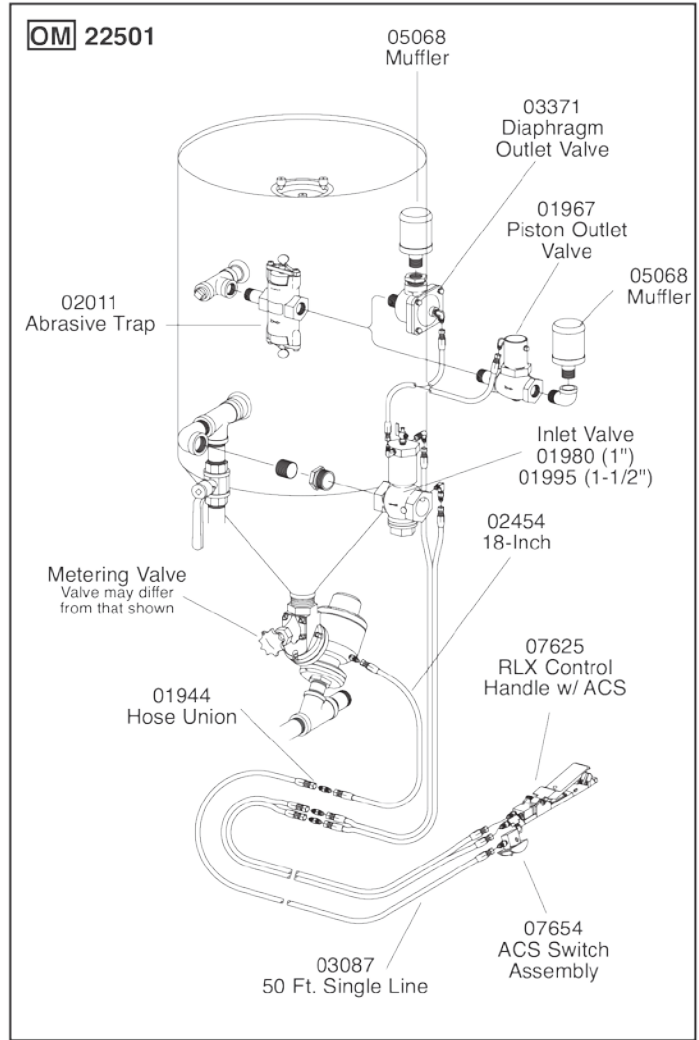
NOTE: OSHA regulations require the use of remote controls on all abrasive blast machines. REF 29 CFR 1910.244 (B)

The following remote control systems are pressure-release style; they provide operator start/stop control at the nozzle and allow the blast machine to depressurize, for refilling, each time the control handle is released.

Pneumatic Remote Control Systems with Abrasive Cut Off

Description	Stock No.
TLR-100C	21152
Includes:	
TLR 1" inlet valve	
1" piston outlet valve	
Abrasive trap	
Pneumatic RLX control handle	
50 ft. twinline and ACS supply hose	
AQV Quantum valve plus required hoses and fittings	
TLR-100DC	21154
Includes items listed above except:	
1" diaphragm outlet valve instead of piston outlet valve	

Description	Stock No.
TLR-300C	21153
Includes:	
TLR 1-1/4" / 1-1/2" inlet valve	
1" piston outlet valve	
Abrasive trap	
Pneumatic RLX control handle	
50 ft. twinline and ACS supply hose	
AQV Quantum valve plus required hoses and fittings	
TLR-300DC	21155
Includes items listed above except:	
1" diaphragm outlet valve instead of piston outlet valve	



REMOTE CONTROLS & AIR VALVES

OM 03390

ELECTRIC PRESSURE-RELEASE REMOTE CONTROL SYSTEMS

NOTE: OSHA regulations require the use of remote controls on all abrasive blast machines. REF 29 CFR 1910.244 (B)

The following remote control systems are pressure-release style; they provide operator start/stop control at the nozzle and allow the blast machine to depressurize, for refilling, each time the control handle is released. Anti-freeze injector is standard on electric remote control systems. Suggested for hose lengths 100 ft or greater.

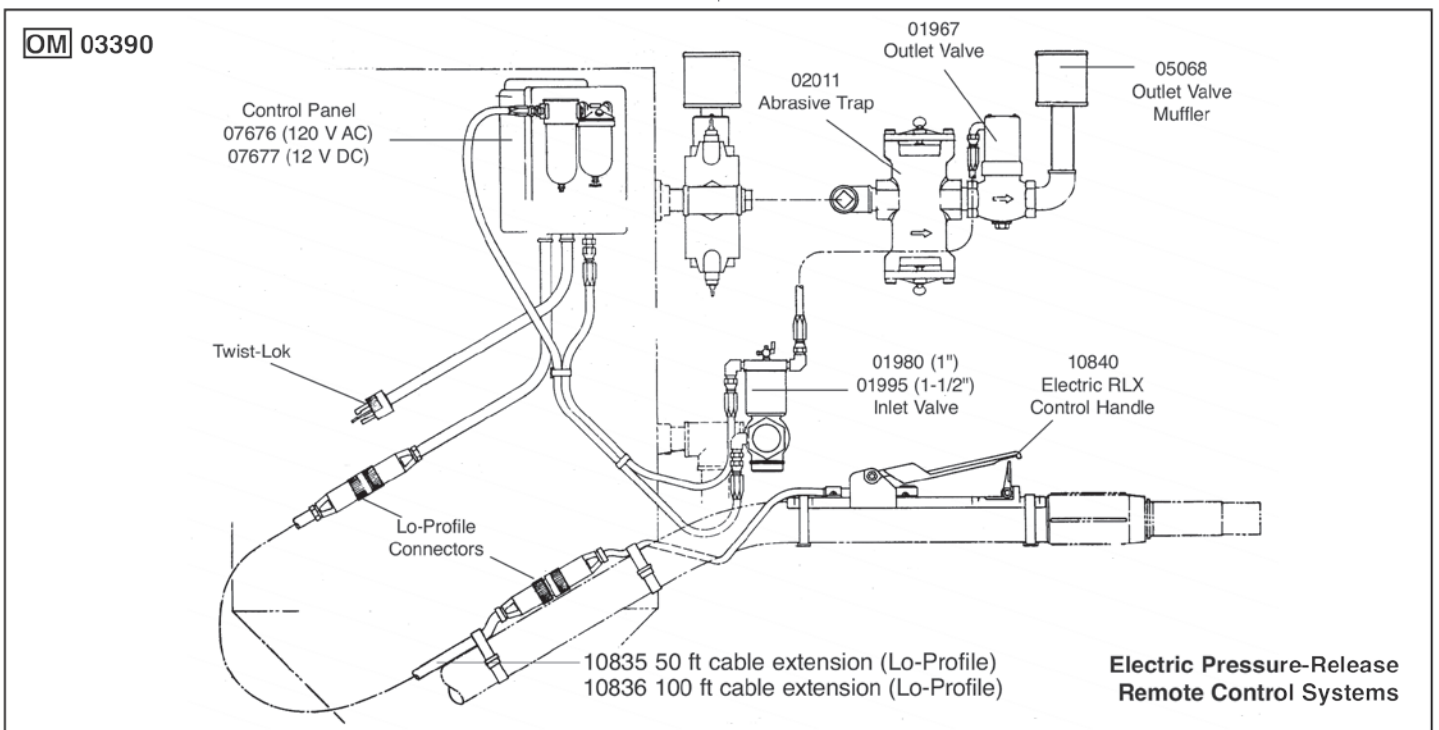
Electric Remote Control Systems:

Description	Stock No.
EAC-100	
1" 120V AC.....	03384
Includes:	
1" inlet valve	
1" piston outlet valve	
Electric RLX control handle	
50 ft. electric control cable	
Control panel plus required hoses and fittings	
Abrasive trap	
EDC-100	
1" 12V DC.....	03380
Includes items listed above.	

NOTE: The power input cable to the control box is 5 ft. long. If the blast machine is farther from a power source, use a grounded 14/3 UL-approved extension cord with 120-volt power source. For pressure-hold systems, see Quantum pressure-hold Remote Control Systems.

Description	Stock No.
EAC-300 (120V AC)	
1-1/4" / 1-1/2"	03385
Includes:	
1-1/4" / 1-1/2" inlet valve	
1" piston outlet valve	
Electric RLX control handle	
50 ft. electric control cable	
Control panel plus required hoses and fittings	
Abrasive trap	
EAC-300C	
System as above plus	
AQV Quantum valve with ACS21182
EDC-300 (12V DC)	
1-1/4" / 1-1/2"	03381
Includes items listed with EAC-300	
EDC-300C	
System as above plus	
AQV Quantum valve with ACS21184
Conversion Kits (Pneumatic to Electric):	
For TLR to 120V	02201
For TLR to 12V	02202

REMOTE CONTROLS & AIR VALVES



QUANTUM PNEUMATIC PRESSURE-HOLD REMOTE CONTROL SYSTEMS

OM 25836

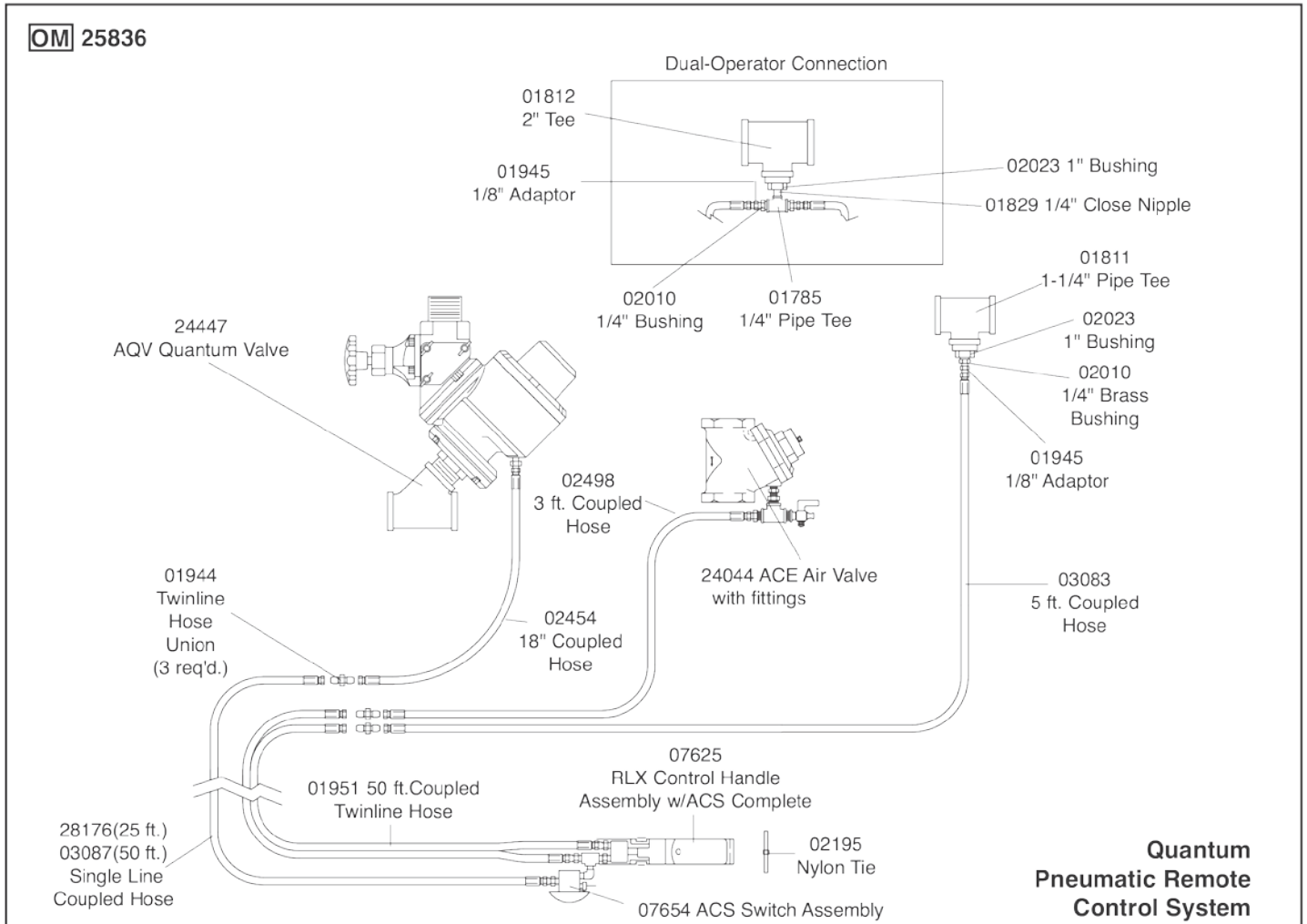
Quantum Pneumatic pressure-hold remote control systems provide operator start/stop control at the nozzle without depressurizing the blast machine. Pressure-hold remotes are mandatory on all multiple outlet blast machines as they allow one or more operators to stop blasting without interrupting the blast operation of any other operator who may be blasting from the same machine.

Pneumatic Pressure-Hold Remote Controls:

System includes: AQV Quantum abrasive metering valve, 1-1/4" air valve, abrasive cut-off switch, pneumatic RLX control handle, 50 ft. twinline hose, and all required hoses and fittings.

Description	Stock No.
AQV-PPH one operator25834
DQV-PPH two operators25835

REMOTE CONTROLS & AIR VALVES



OM 25837

QUANTUM ELECTRIC PRESSURE-HOLD REMOTE CONTROL SYSTEMS

Quantum electric pressure-hold remote control systems provide operator start/stop control at the nozzle without depressurizing the blast machine.

Pressure-hold remotes are mandatory on all multiple-outlet blast machines, as they allow one or more operators to stop blasting without interrupting the blast operation of any other operator who may be blasting from the same machine.

Electric remote controls are used when the nozzle is farther than 100 feet from the blast machine.

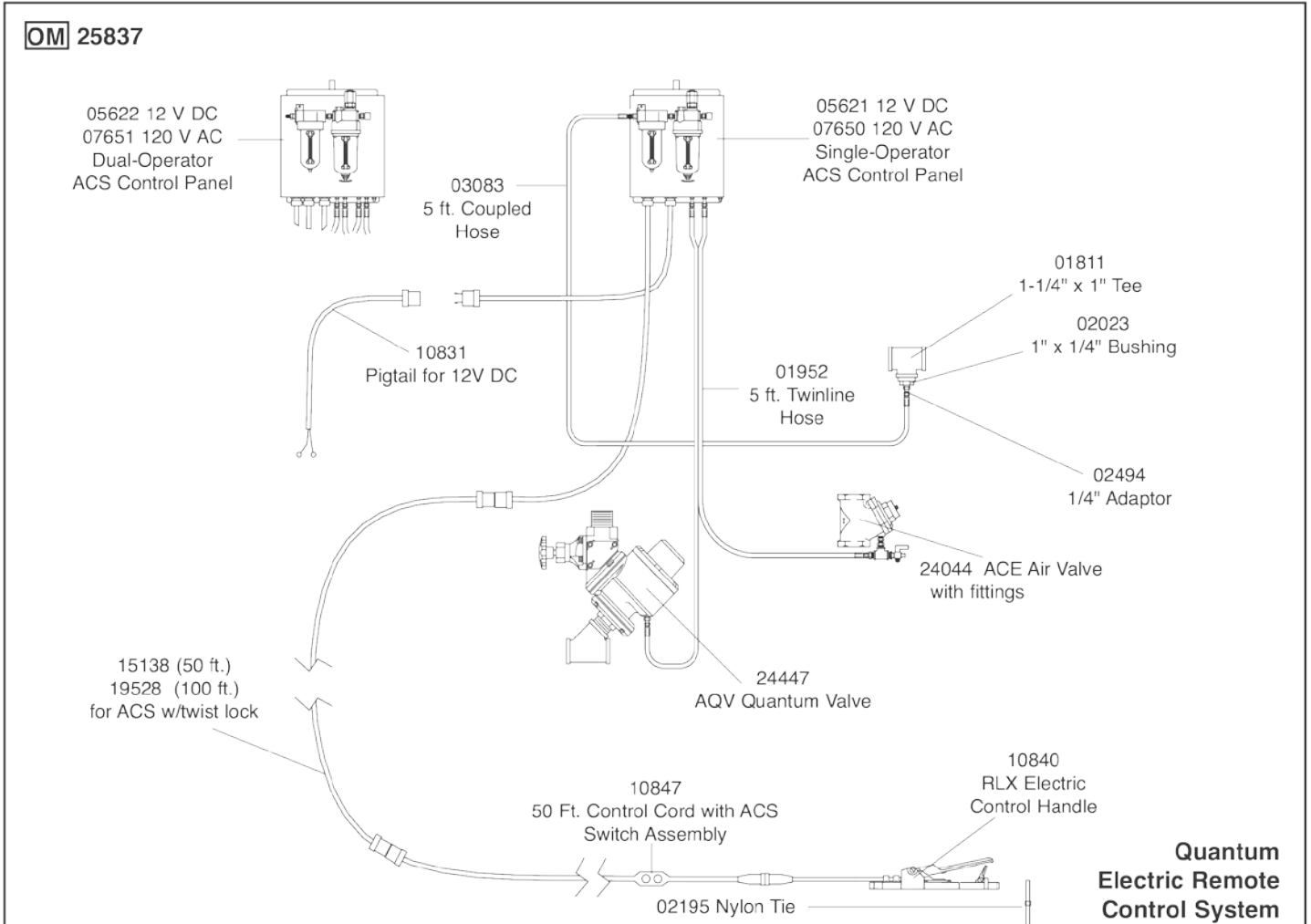
An Anti-freeze injector is standard feature on Quantum Electric Remote Control Systems.

Electric Remote Controls:

System includes: AQV Quantum abrasive metering valve, 1-1/4" air valve, abrasive cut-off switch with ACS, electric RLX handle, 50 ft. electric control cable, control panel and required hoses and fittings. NOTE: The power input cable to the control box is 5 ft. long. If the blast machine is farther from a power source, use a grounded 14/3 UL-approved extension cord with 120 volt power source.

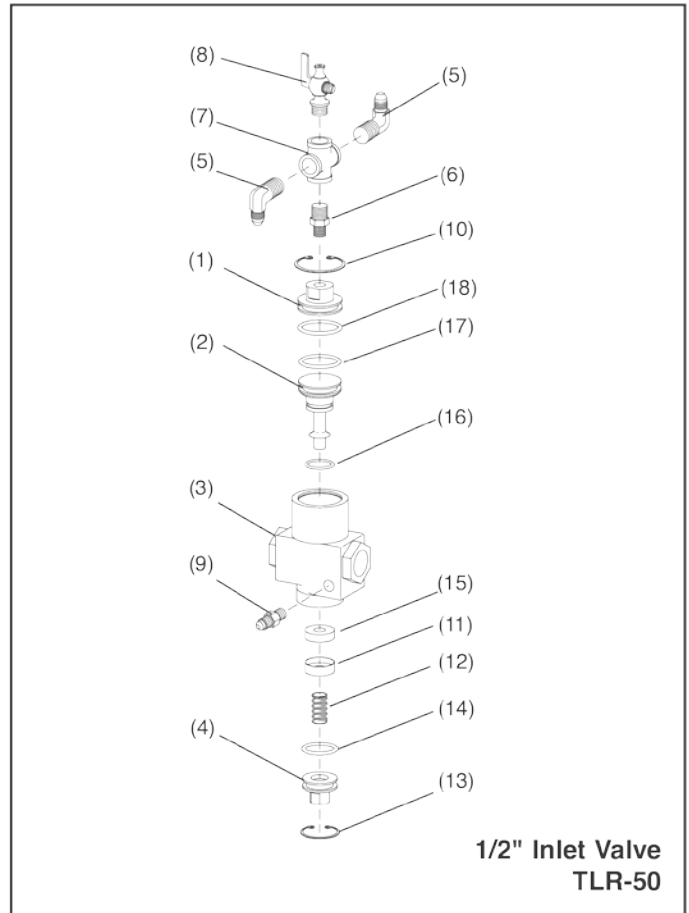
Description	Stock No.
AQV-EPH one-operator 120v AC	25830
AQV-EPH one-operator 12v DC	25831
AQV-EPH two-operator 120v AC	25832
AQV-EPH two-operator 12v DC	25833

REMOTE CONTROLS & AIR VALVES



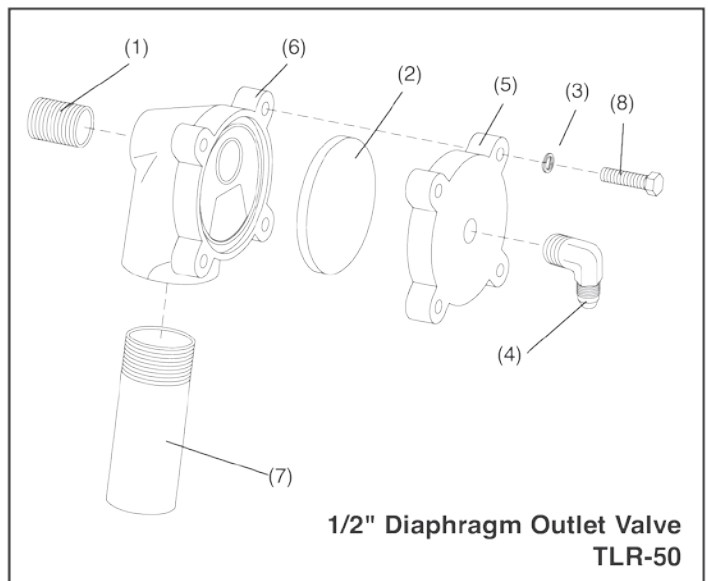
TLR 1/2" INLET AND OUTLET VALVES

Description	Stock No.
(-) 1/2" Inlet valve, complete	02164
1. Cap	02175
2. Piston	02192
3. Body	02170
4. Plug, bottom	02176
5. Elbow, 1/4" NPT adaptor	02513
6. Reducer, 1/4" NPT adaptor	02026
7. Cross, 1/4" NPT adaptor	02193
8. Petcock, 1/4" NPT adaptor	01993
9. Adaptor, 1/8" NPT adaptor w/ 1/16" orifice	01945
10. Retaining ring, cap	02181
11. Retainer, washer	02177
12. Spring, 17/32" OD x 1" long	02178
13. Retaining ring, bottom plug	02180
14. O-ring 7/8" ID x 1/8" cross sect.	02184
15. Washer	02179
16. O-ring 3/4" ID x 3/32" cross sect.	02185
17. O-ring 1-1/8" ID x 1/8" cross sect.	01097
18. O-ring 1-3/16" ID x 1/8" cross sect.	02182



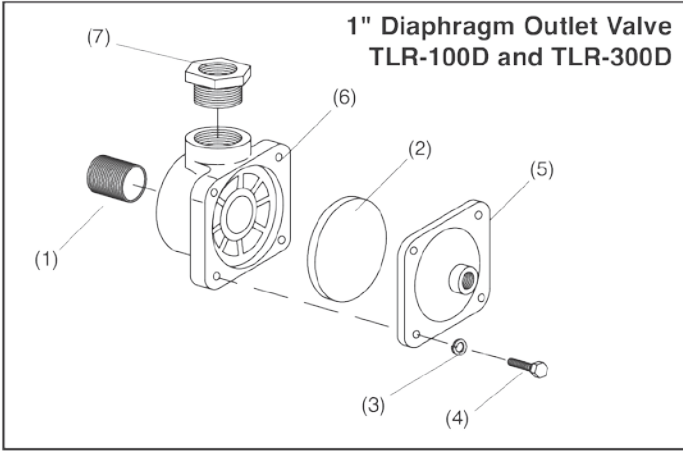
(-) Service kit, includes
02181, 02177, 02178,
02180, 02184, 02179,
02185, 01097, and
0218207814 38.50 D <.5

Description	Stock No.
(-) 1/2" Diaphragm outlet valve, complete	02512
1. Nipple, 1/2" NPT x close	01733
2. Diaphragm	02511
3. Washer, 1/4" lock	03117
4. Elbow, 1/4" NPT adaptor	02513
5. Cap	02299
6. Body	02298
7. Nipple, 1" NPT x 3: TOE	01841
8. Screw, 1/4" NC x 1" cap	03053

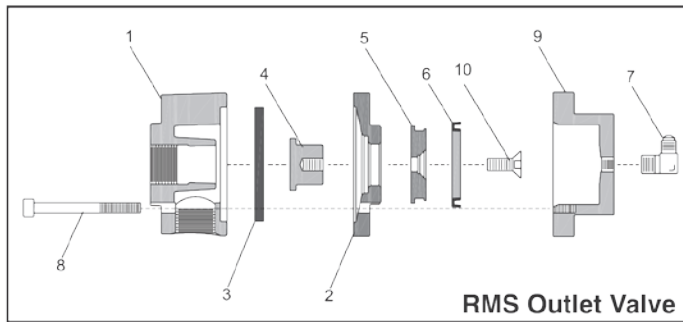


REMOTE CONTROLS & AIR VALVES

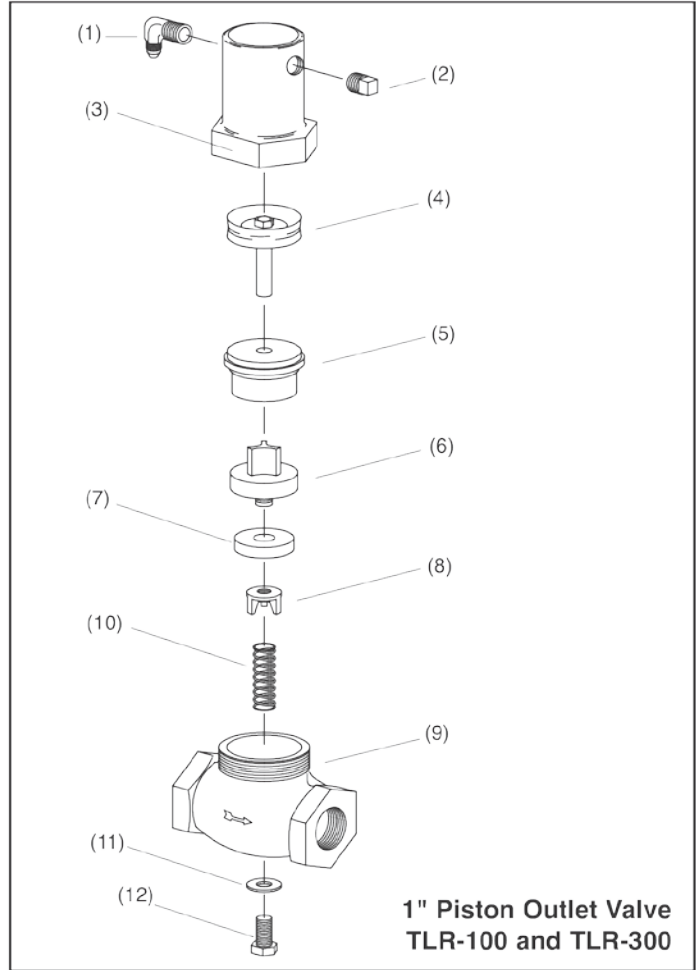
TLR 1" REMOTE CONTROL OUTLET VALVES



Description	Stock No.
(-) 1" Diaphragm outlet valve, complete	..03371
1. Nipple, 1" x close01701
2. Diaphragm06149
3. Lockwasher, 1/4"03117
4. Cap screw, 1/4-NC x 1" hex head03053
5. Cap, diaphragm outlet valve03393
6. Body, diaphragm outlet valve.06135
7. Bushing, 1-1/4" x 1"01804



Description	Stock No.
(-) RMS Outlet valve, complete21764
1. Upper body, outlet valve100015
2. Guide, diaphragm piston100017
3. Diaphragm100016
4. Piston, diaphragm100014
5. Piston, U-seal100018
6. U-seal100020
7. Adaptor, elbow, 1/4" NPT x 3/16" hose02513
8. Screw, 8mm x 80 socket head100013
9. Lower body, outlet valve100032
10. Screw, 10mm countersunk socket100019



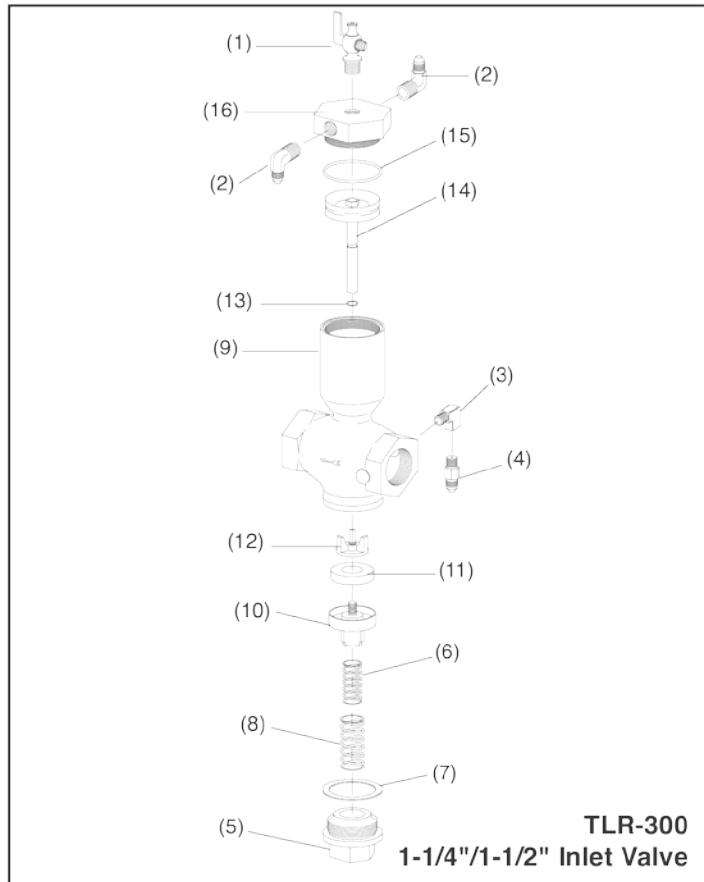
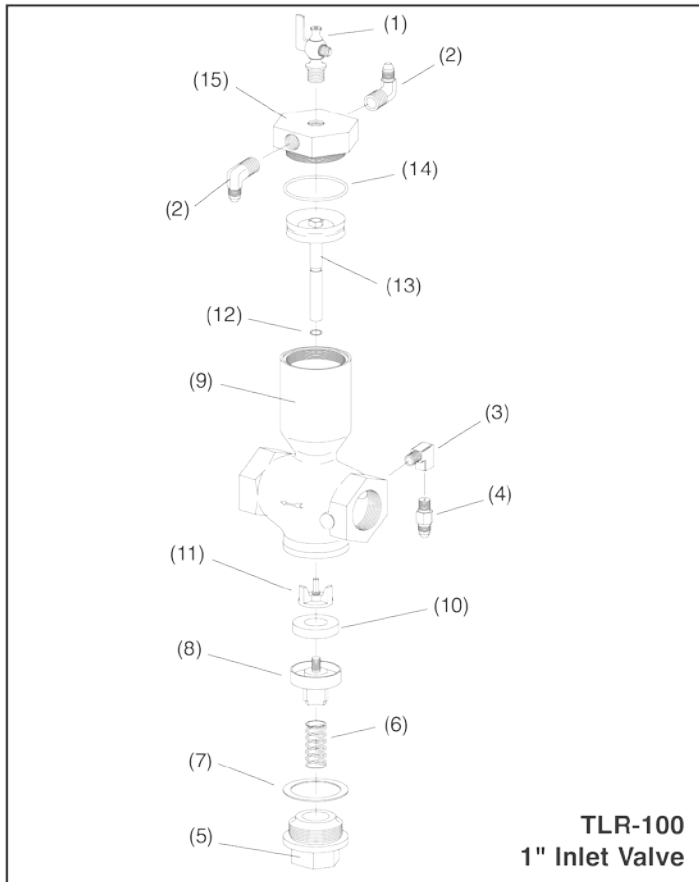
Description	Stock No.
(-) 1" Piston outlet valve, complete01967
1. Elbow 1/4" NPT adaptor	..02513
2. Plug, 1/4" pipe01950
3. Bonnet01970
4. Piston & rod assembly01976
5. Plug & spindle guide01971
6. Valve plug01972
7. Washer, valve plug01969
8. Retainer, valve plug washer01986
9. Valve body01968
10. Spring, 7/16" x 1-5/8"01974
11. Nylon washer01979
12. Cap screw 3/8-NC x 3/4"03251
(-) Service kit, includes	
01972, 01986, 01974,	
01979, 03251, and	
2 ea 0196901928

REMOTE CONTROLS & AIR VALVES

TLR 1" AND 1-1/4" / 1-1/2" REMOTE CONTROL INLET VALVES

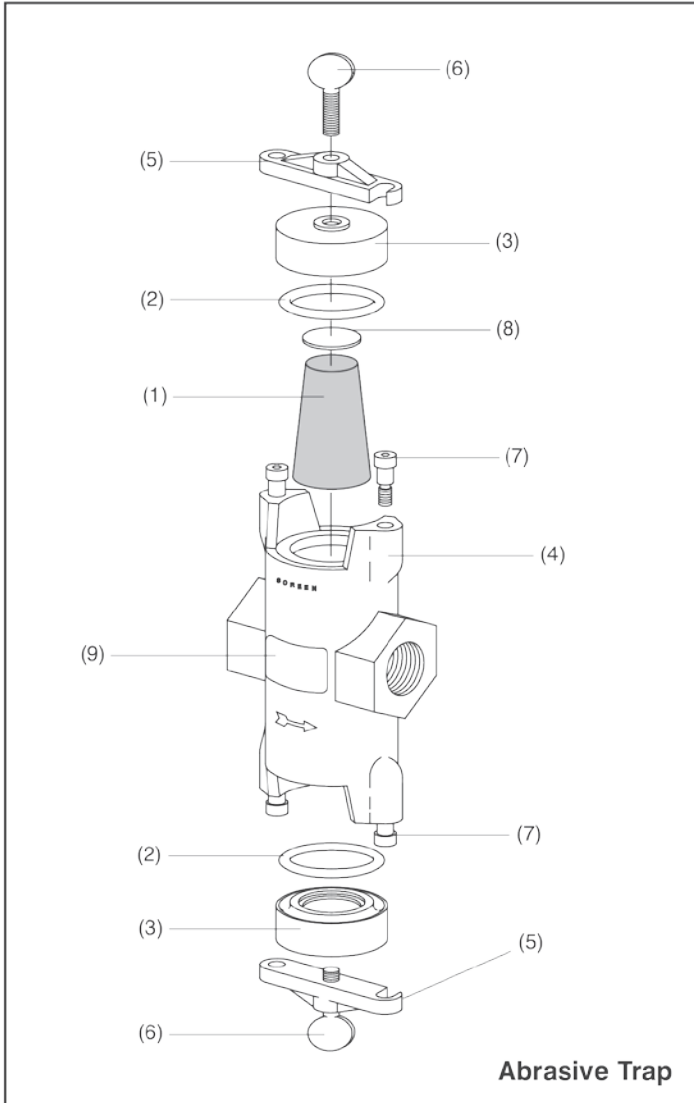
Description	Stock No.
(-) 1" Inlet valve, complete.	01980
1. Petcock 1/4" NPT	01993
2. Elbow, 1/8" NPT adapt.	02827
3. Elbow, 1/8" brass street	03993
4. Adaptor 1/8" NPT with 1/16" orifice	01945
5. Bottom cap	01985
6. Spring, 5/8" x 1-11/16" long	01982
7. Seal, bottom cap	01989
8. Valve plug	01984
9. Valve body	01981
10. Washer, valve plug	01969
11. Retainer, valve plug washer	01986
12. O-ring 3/16" ID x 1/16"	01992
13. Piston & rod assembly	01987
14. O-ring 1-3/4" OD	01990
15. Valve cap	01983
(-) Service kit, includes 01982, 01989, 01986, 01992, 01990, and 2 ea 01969	01929

Description	Stock No.
(-) 1-1/4"/1-1/2" Inlet valve, complete	01995
1. Petcock 1/4" NPT	01993
2. Elbow, 1/4" NPT adapt	02513
3. Elbow, 1/8" brass street	03993
4. Adaptor 1/8" NPT w/ 1/16" orifice	01945
5. Bottom cap	02001
6. Spring, inner, 5/8" x 1-11/16" long	01982
7. Gasket, bottom cap	02006
8. Spring, outer	02000
9. Valve body	01996
10. Valve plug	01999
11. Washer, valve plug	01998
12. Retainer, valve plug washer	02002
13. O-ring, 7/16" OD	02008
14. Piston & rod assembly	02003
15. O-ring 2-1/4" OD	02007
16. Valve cap	01997
(-) Service kit, includes 01982, 02006, 02000, 02008, 02007, and 2 ea 01998	01927

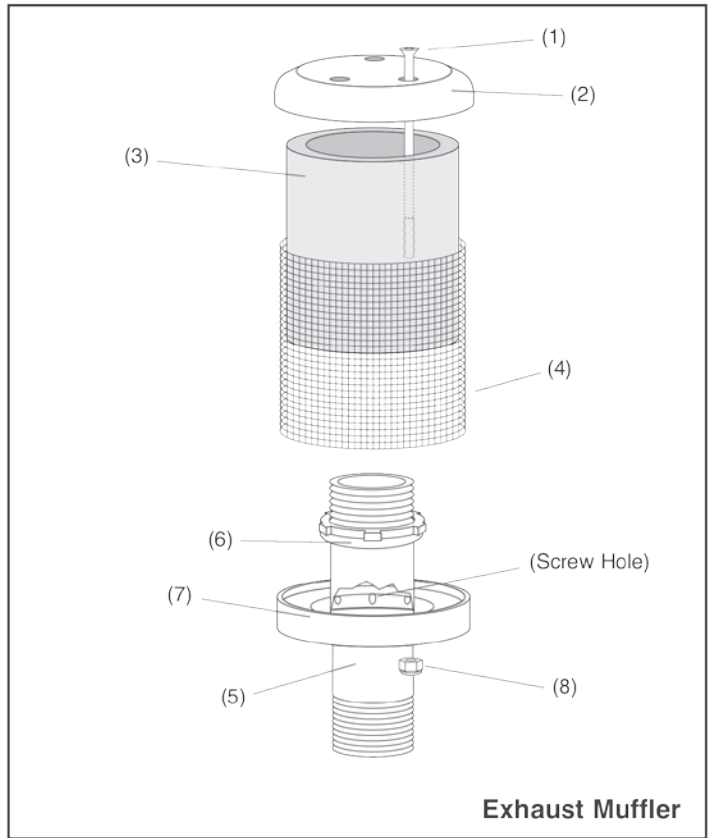


REMOTE CONTROLS & AIR VALVES

ABRASIVE TRAP/EXHAUST MUFFLER



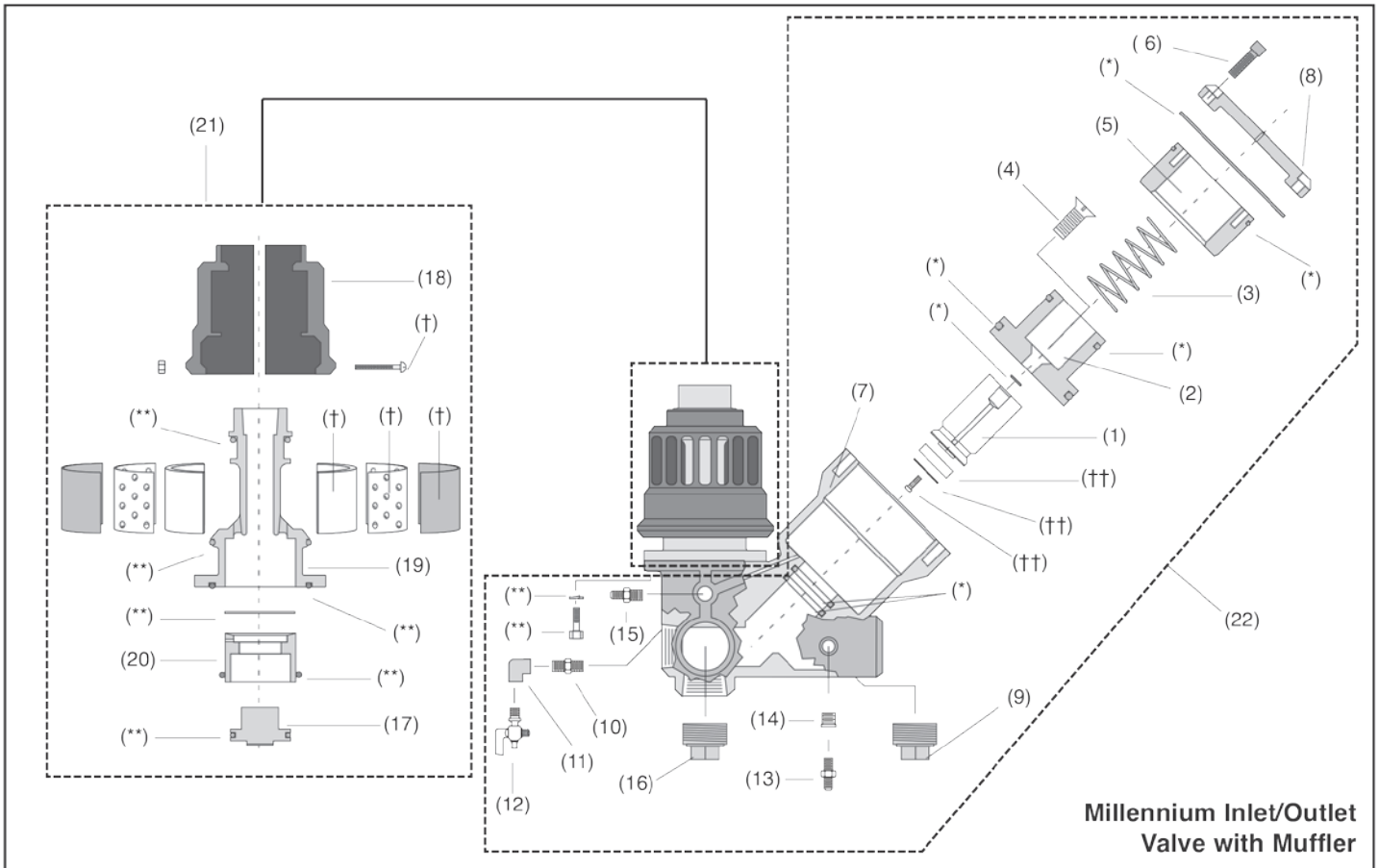
Description	Stock No.
(-) Exhaust Muffler	05068
1. Screw, 8-32 x 4"	05061
2. Cap, coated	05067
3. Body, muffler	05065
4. Screen	05060
5. Guide w/lock nut	22344
6. O-ring, 1-1/4" ID	05069
7. Seat	05062
8. Lock-nut, 8-32 ss	05815



Description	Stock No.
(-) Abrasive trap	02011
1. Screen	02012
2. O-ring	02013
3. Cap	02014
4. Body	02015
5. Lock bar	02016
6. Screw, 3/8-NC x 1" thumb	03289
7. Shoulder screw, 3/8" x 3/8"	03291
8. Gasket, screen, 1/8" thick	02434
9. Label, "clean twice daily" ..	02129
(-) Service kit, includes 02434, 02129, 2 ea 02013, and 3 ea 02012	01925

REMOTE CONTROLS & AIR VALVES

MILLENNIUM INLET/OUTLET VALVE FOR CONTRACTOR BLAST MACHINES



REMOTE CONTROLS & AIR VALVES

Description Stock No.

- (-) **Millennium inlet/outlet valve, complete**21336
- 1. Plunger, urethane tip22600
- 2. Dual piston.....22602
- 3. Spring, compression22604
- 4. Screw w/internal thread for puller22650
- 5. Upper sleeve22603
- 6. 5/16-NC x 1.25 socket head screw, 6 reqd.22611
- 7. Inlet valve body21338
- 8. Cylinder cap.....21339
- 9. 1-1/2" plug02477
- 10. 1/4" hex nipple.....02808
- 11. 1/4" x 90 female pipe elbow06373
- 12. 1/4" petcock01993
- 13. 1/8" NPT adaptor with 1/16" orifice01945
- 14. Brass bushing, 1/4" x 1/8" ..02010
- 15. 1/4" NPS adaptor.....02494
- 16. 1-1/4" pipe plug01762
- 17. Piston.....22613

Description Stock No.

- 18. Muffler housing set.....25988
- 19. Exhaust valve body21345
- 20. Inner sleeve22612
- 21. Outlet segment/muffler assembly21731
- 22. Inlet segment (std.)21730
- Inlet segment (engrd. prod.)23620

Service Kits

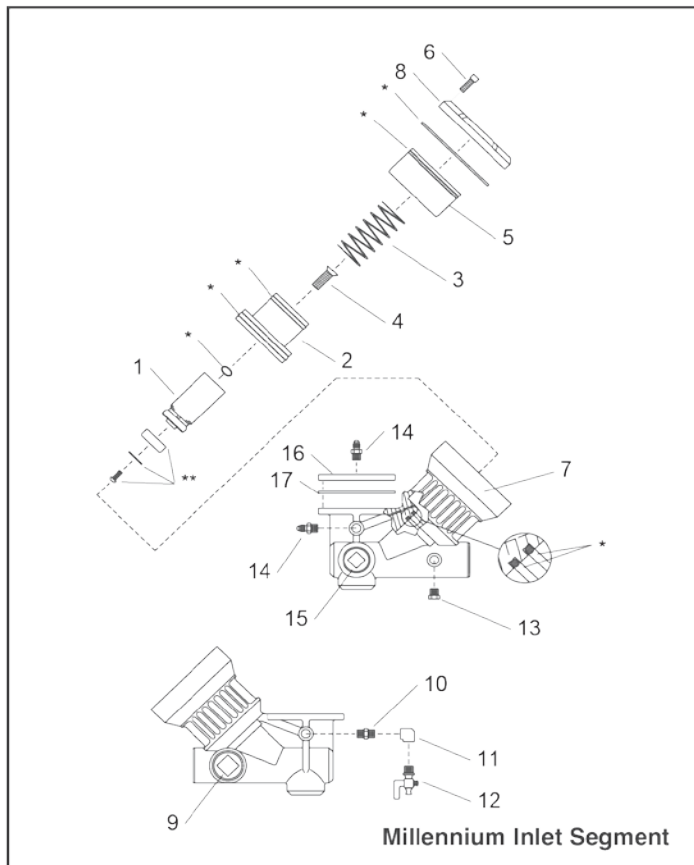
- (-) Millennium super service kit, includes 22856, 22857, 22868, and 2289822899
- (*) Inlet segment seals22856
- (**) Outlet segment.....22857
- (†) Outlet muffler22868
- (††) Plunger tip22898

Note:
Kit components are not available individually.

MILLENNIUM INLET VALVE FOR INDUSTRIAL BLAST MACHINES

Millennium Valve, Inlet Segment Blast Room Machine

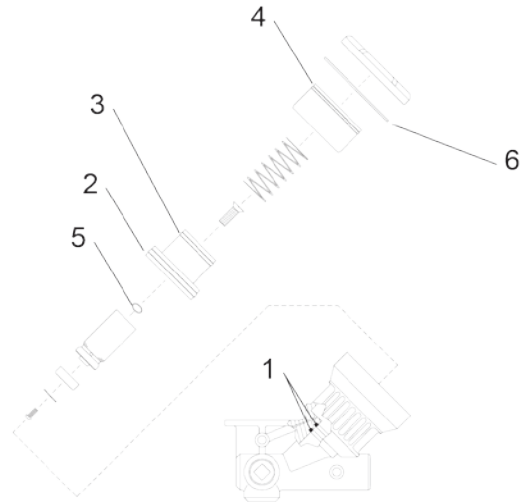
Description	Stock No.
* Service kit, inlet seals	22856
** Service kit, plunger tip	22898
(-) Millennium inlet valve	23620
1. Plunger	22600
2. Dual piston.....	22602
3. Spring, 4" long	22604
4. Screw, socket, w/internal threads.....	22650
5. Sleeve, cylinder	22603
6. Screw, 5/16"-NC x 1-1/4", socket head	22611
7. Body, inlet valve	21338
8. Cap, cylinder	21339
9. Plug, 1-1/2" NPT	02477
10. Nipple, 1/4" NPT hex	02808
11. Elbow, 1/4" NPT 90° female	06373
12. Petcock, 1/4" NPT	01993
13. Plug, 1/4" NPT	01950
14. Adaptor, 1/4" NPT	02494
15. Plug, 1-1/4" NPT	01762
16. Plate, remote outlet adaptor	23597
17. Gasket, adaptor plate	23261



**22856 SERVICE KIT
MILLENNIUM INLET SEGMENT SEALS**

Refer to owner's manual for service instructions.

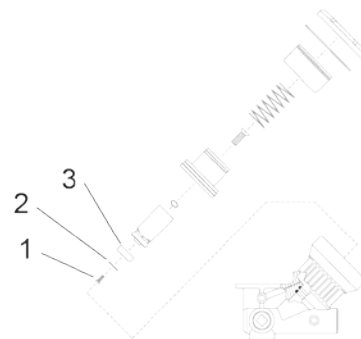
Item	Qty	Description
1.	2	O-ring, 2/1/8" OD, nominal
2.	1	U-seal, dual piston lower, 3-1/2" ID
3.	1	U-seal, dual piston upper, 2-3/8" ID
4.	1	O-ring, 4-1/8" OD, nominal
5.	1	O-ring, 31/64" ID, nominal
6.	1	Gasket, cylinder cap



**22898 SERVICE KIT
MILLENNIUM PLUNGER TIP**

Refer to owner's manual for service instructions.

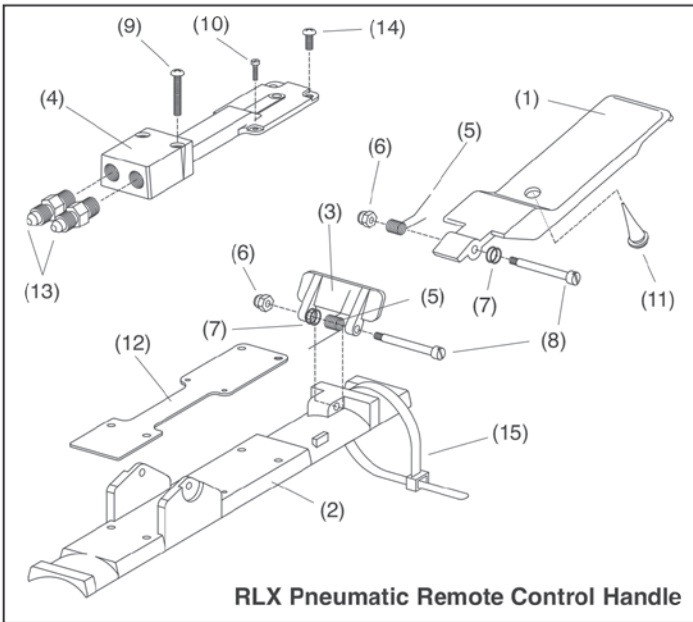
Item	Qty	Description
1.	1	Screw, 5/16"-NC button head
2.	1	Washer, plunger tip
3.	1	Tip, replaceable plunger



REMOTE CONTROLS & AIR VALVES

RLX PNEUMATIC REMOTE CONTROL HANDLES

OM 10574



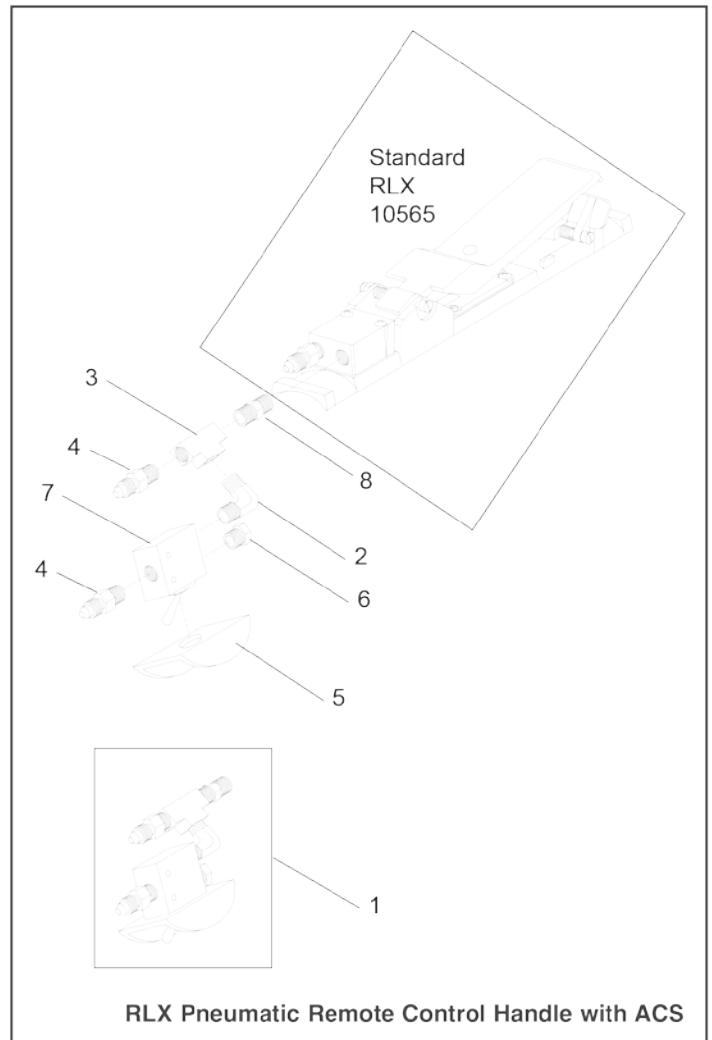
Description Stock No.
RLX pneumatic control handle with ACS

- 1. Switch assembly, ACS pneumatic07654
- 2. Elbow, 1/8" NPT male03085
- 3. Tee, 1/8" NPT brass02171
- 4. Adaptor, 1/8" NPT01940
- 5. Guard, ACS pneumatic switch07655
- 6. Breather muffler, 1/8" NPT07657
- 7. Switch only, ACS07658
- 8. Connector, 1/8" NPT brass01962

Description Stock No.

(-) RLX pneumatic control handle Without ACS switch10565

- 1. Handle10573
- 2. Body10568
- 3. Lever lock10564
- 4. Pneumatic adaptor10562
- 5. Spring, lever05823
- 6. Nut, 8-32 lock s/s05815
- 7. Spacer washer s/s05434
- 8. Screw, 3/16" x 1-1/4" shoulder05817
- 9. Screw, 8-32 x 1" round hd05819
- 10. Screw, 4-40 x 3/8" fillister hd05818
- 11. Button bumper (25-pk) ..07812
- 12. Gasket, pneumatic adaptor10563
- 13. Adaptor 1/8" NPS, 2 reqd.....01940
- 14. Screw 8-32 x 3/8" s/s, round hd.05814
- 15. Tie, nylon02195
- (-) Service kit includes 10564, 10563; 2 ea 05823, 05815, 05817, 05819, 05818, 05814; 3 ea 05821; and 4 ea 0543422859

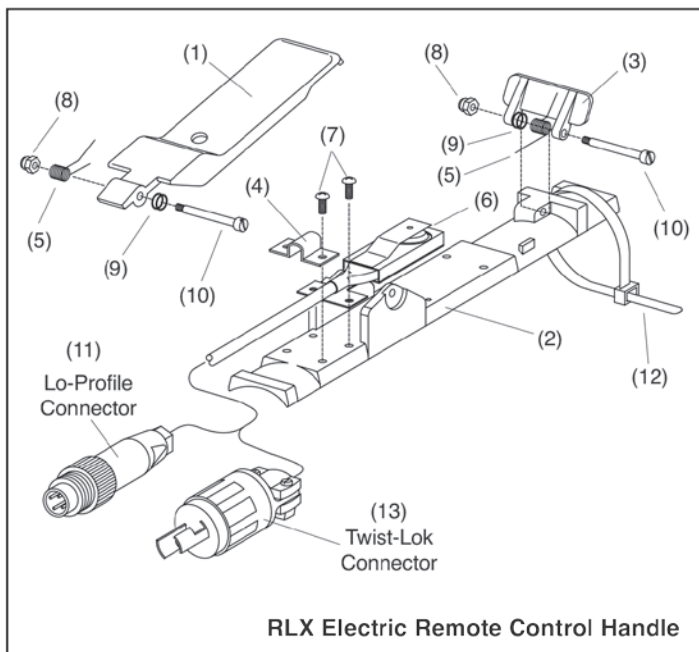


REMOTE CONTROLS & AIR VALVES

OM 10574

RLX ELECTRIC REMOTE CONTROL HANDLE

Description	Stock No.
(-) RLX electric control handle w/lo-profile connector	10840
(-) RLX electric control handle w/twist-lock connector	05801
1. Handle	10573
2. Body	10568
3. Lever lock	10564
4. Clamp, switch cord	05810
5. Spring, lever, 2 reqd.	05823
6. Switch, electric w/cord	24842
7. Screw, 8-32 x 3/8" s/s, 4 reqd.	05814
8. Nut, 8-32 lock, s/s, 2 reqd.....	05815
9. Spacer washer s/s, 4 reqd.	05434
10. Screw, 3/16" x 1-1/4" shoulder, 2 reqd.....	05817
11. Connector, lo-profile, (for 10840 only)	10828
12. Tie, nylon	02195
13. Connector, twist-lock, (for 05801 only)	02899
(-) ACS electric on/off switch assembly (lo-profile) with 50 ft. cord	10847
(-) ACS electric on/off switch ..	07674



Remote Control Air Hose

Description Stock No.

Bulk, per foot

Hose, single-line, 3/16" bulk, per ft	02639
Hose, twin-line, 3/16" bulk, per ft.....	02163

Single-line hose, coupled (with 01943 on both ends)

3/16" x 18"	02454
3/16" x 3'	02498
3/16" x 5'	03083
3/16" x 25'	28176
3/16" x 50'	03087

Single-line hose for Big Clem

(with 01943 installed on one end only, plus one 01943 shipped loose)

3/16" x 12'	28627
-------------------	-------

Twin-line hose, coupled (with 01943 on both ends)

3/16" x 3'	02240
3/16" x 4'	21619
3/16" x 5'	01952
3/16" x 10'	04927
3/16" x 50'	01951
3/16" x 52'	28569
3/16" x 66'	20525

Remote Control Electric Cord

Pigtail Supply Cord, 5 ft

Pigtail, 5 ft, (battery to power supply; 12V only)	10831
---	-------

Power Supply Cord, 5 ft

12v, w/lo-profile connector ..	10833
120v, w/3-prong twist-lock connector	02216

Cord for System without Abrasive Cut-off (ACS)

For RLX Handle 10840 w/lo-profile connectors

control whip	10834
50' 16/2, Lo-profile	10835
100' 16/2, Lo-profile	10836

For RLX Handle 05801 w/2-prong twistlock connectors

5' control whip	02524
50' 14/2 control.....	02204
100' 14/2 control.....	03360
200' 14/2 control.....	03366
300' 14/2 control.....	06167

Cord for system with abrasive cut-off (ACS)

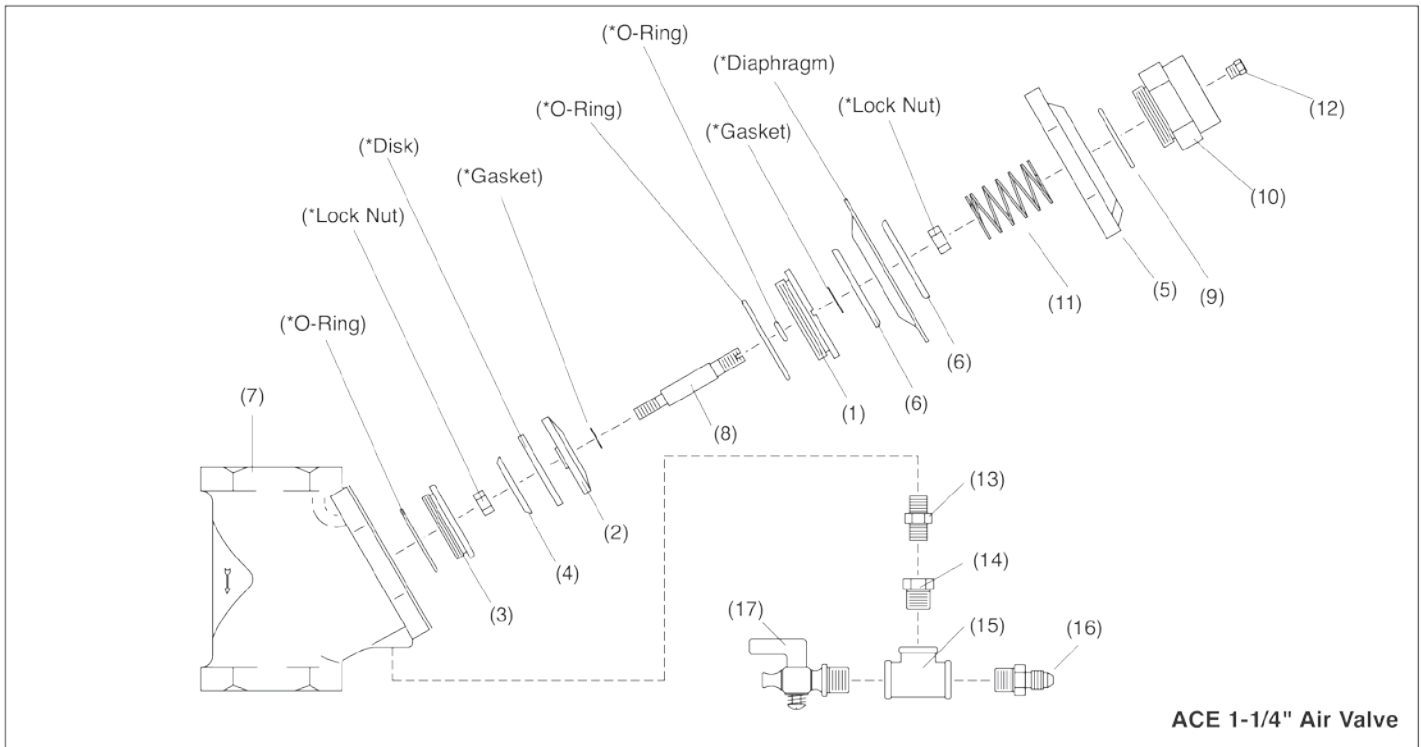
For RLX Handle 07625 with 5-prong twistlock

5' control whip	07675
50' w/ACS switch (lo-profile connector on RLX end)	10847
Extension Cord, 50'	15138
Extension Cord, 100'	19528

REMOTE CONTROLS & AIR VALVES

1 1/4" ACE AIR VALVE

OM 23938



ACE 1-1/4" Air Valve

REMOTE CONTROLS & AIR VALVES

Description	Stock No.
ACE 1-1/4" Air valve assembly (valve with items 12 through 17)	24044
ACE 1-1/4" Air Valve (valve without items 12 through 17)	24074

This air valve is used in pressure-hold remote control systems. It may be used in place of the PVR air valve or the Auto Quantum air valve; substitution may require piping modifications.

Note: See p. 47 for 1-1/2" valve.

Description	Stock No.
(-) Service kit 1-1/4", includes items marked in above illustration with asterisk	24075
1. Guide bushing	24076
2. Retainer, disk	24077
3. Seat	24078
4. Disk plate	24079
5. Cap	24089
6. Plate, diaphragm, ea	24090
7. Body	24091
8. Stem	24092
9. Gasket, spring retainer	24093
10. Retainer, spring	24094
11. Spring	24095
12. Breather muffler, 1/8" NPT	07657
13. Connector, 1/8" NPT brass	01962
14. Bushing, 1/4" x 1/8" NPT brass	02010
15. Tee, 1/4" NPT brass	02025
16. Adaptor, 1/4" NPT	02494
17. Petcock, 1/4" NPT brass	01993
(-) Tools	
Guide bushing tool	24191
Seat tool	24192

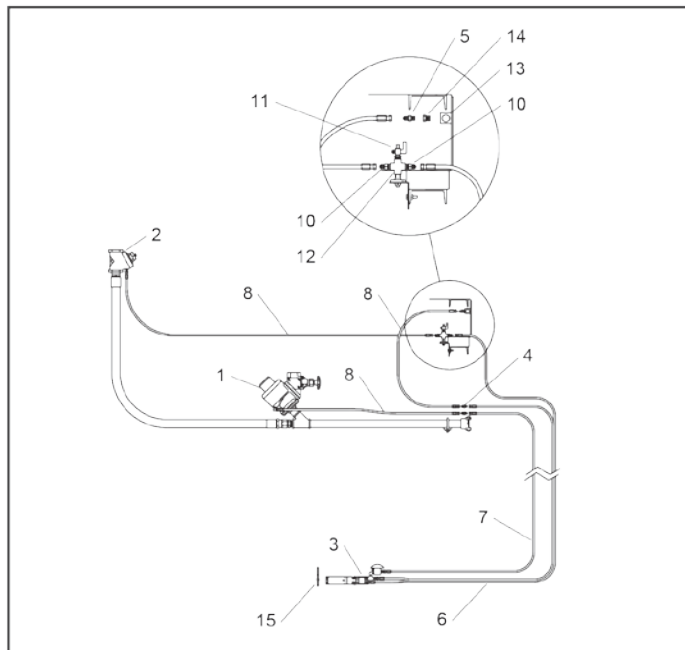


OM 10574

BIG CLEM PRESSURE-HOLD REMOTE CONTROL PARTS

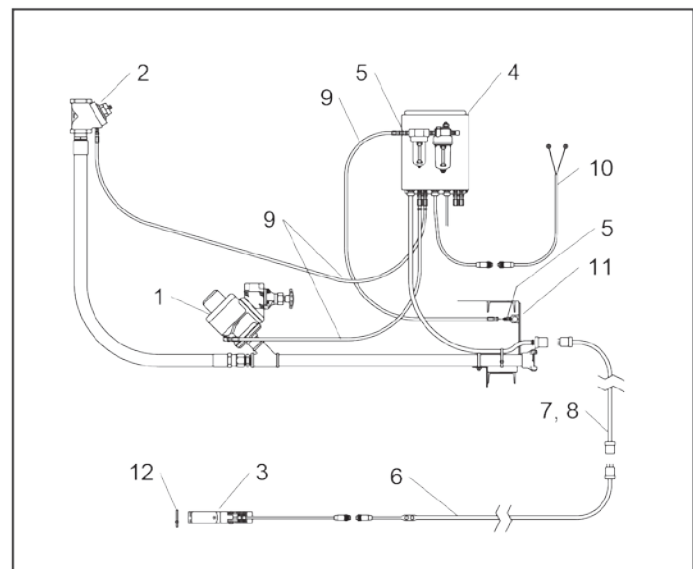
Pneumatic Remote Controls with ACS

Description	Stock No.
1. Auto-Quantum metering valve w/wye, pipe nipples and fittings	24447
w/o wye, pipe nipples or fittings	22760
2. ACE air valve 1-1/4" assembly with fittings	24044
3. RLX control handle assembly, complete w/ACS	07625
4. Union, twinline hose	01944
5. Adaptor, 1/8" NPT w/1/16" orifice	01945
6. Hose, twinline 3/16" x 50' coupled	01951
7. Hose, single-line 3/16" x 50', coupled	03087
8. Hose, single-line interconnecting 3/16" x 3' coupled	02498
3/16" x 5' coupled	03083
* 3/16" x 12' coupled on one end coupling for other end shipped loose	28627
10. Adaptor, straight 1/4" NPT x 1/4" MJIC	02494
11. Petcock, 1/4"	01993
12. Cross, 1/4" brass	02193
13. Manifold, control air	25880
14. Bushing, 1/4" NPT x 1/8" NPT	02010
15. Nylon tie	02195



Electric Remote Controls with ACS

Description	Stock No.
1. Auto-Quantum metering valve w/wye, pipe nipples and fittings	24447
w/o wye, pipe nipples and fittings	22760
2. ACE air valve 1-1/4" assembly with fittings	24044
valve only, without fittings	24074
3. RLX electric control handle	10840
4. Control panel, dual operator 12 volt, DC	05622
120 volt, AC	07651
5. Adaptor, straight 1/4" NPT x 1/4" MJIC	02494
6. Cord, 50' control w/ACS switch	10847
7. Extension cord, 50' for ACS	15138
8. Extension cord, 100' for ACS	19528
9. Hose, single-line interconnecting 3/16" x 3' coupled	02498
3/16" x 5' coupled	03083
* 3/16" x 12' coupled on one end coupling for other end shipped loose	28627
10. Pigtail, for 12-volt DC only with lo-profile connector	10831
11. Manifold, control air	25880
12. Nylon tie	02195



REMOTE CONTROLS & AIR VALVES



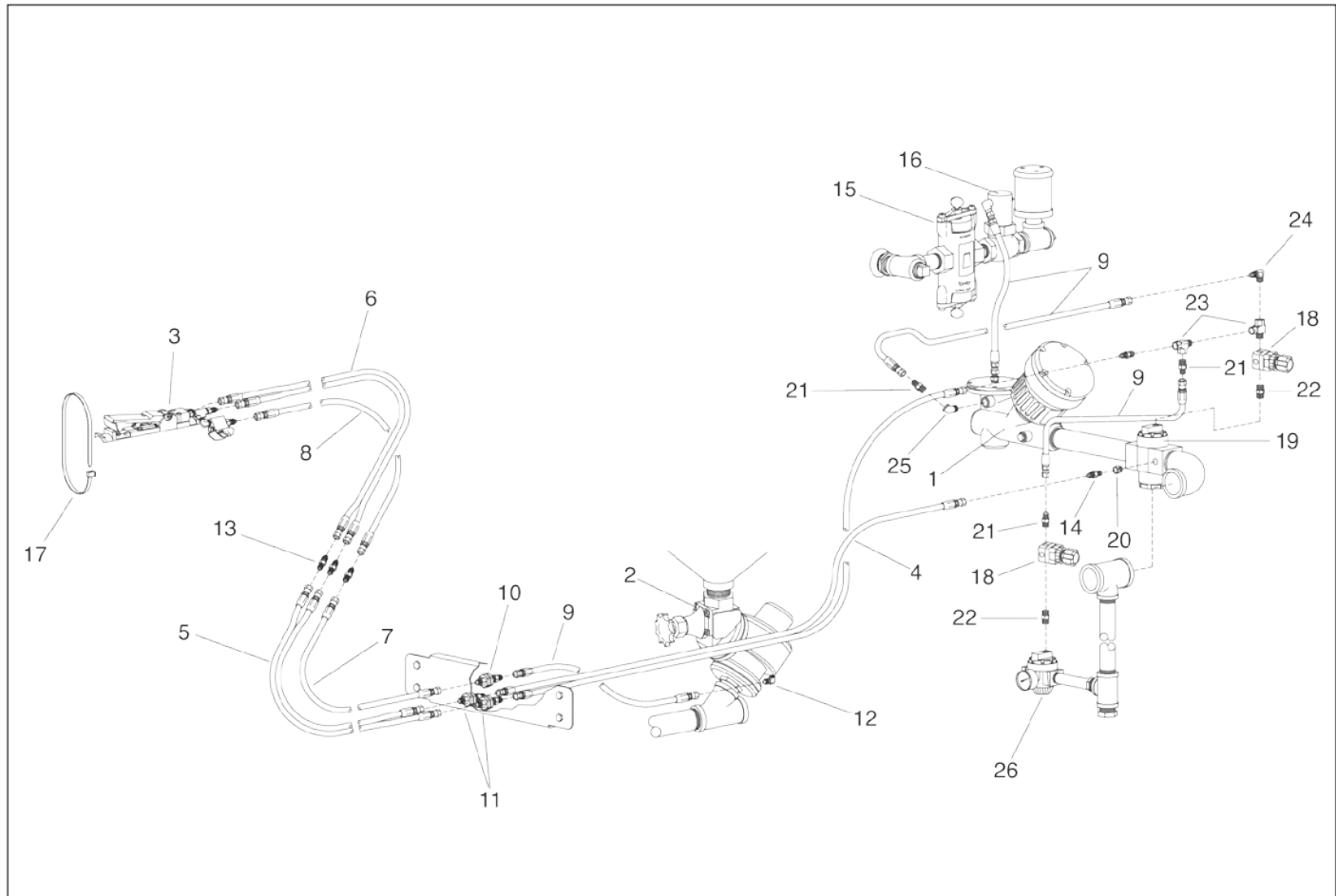
WETBLAST FLEX™ REMOTE CONTROL SYSTEM PARTS

OM 28452

FLEX Remote Control System Parts

Description	Stock No.
1. Millennium inlet valve	..23620
2. Metering valve, Auto-Quantum22760
3. RLX control handle w/ ACS07625
4. Hose, 4' twinline coupled21619
5. Hose, 52' twinline coupled, first hose28569
6. Hose, 50' twinline coupled, extension01951
7. Hose, 52' x 3/16" sgl-line, first hose28570
8. Hose, 50' x 3/16" sgl-line, extensions03087
9. Hose, 3/16" x 18"02454
10. Fitting, 1/4-NPT bulkhead each, 3 used05605
11. Adaptor, 1/4-NPT each, 6 used02494

Description	Stock No.
12. Adaptor, 1/8-NPT elbow02827
13. Union, 3/16" hose01944
14. Orifice, .052"20429
15. Abrasive trap, 1-NPT	..02011
16. Outlet valve, TLR 1-NPT piston01967
17. Tie, nylon02195
18. Regulator, 1/4" pilot12050
19. Regulator, 1-1/2" pilot-op w/gauge12051
20. Bushing, 1/4 x 1/8 NPT	02010
21. Adaptor, 1/4-NPT02494
22. Nipple, 1/4-NPT hex02808
23. Tee, 1/4-NPT M/F/F20847
24. Adaptor, 1/4-NPT elbow02513
25. Elbow, 1/4-NPT st.02027
26. Regulator, 1/2" pilot-operated11345



REMOTE CONTROLS & AIR VALVES