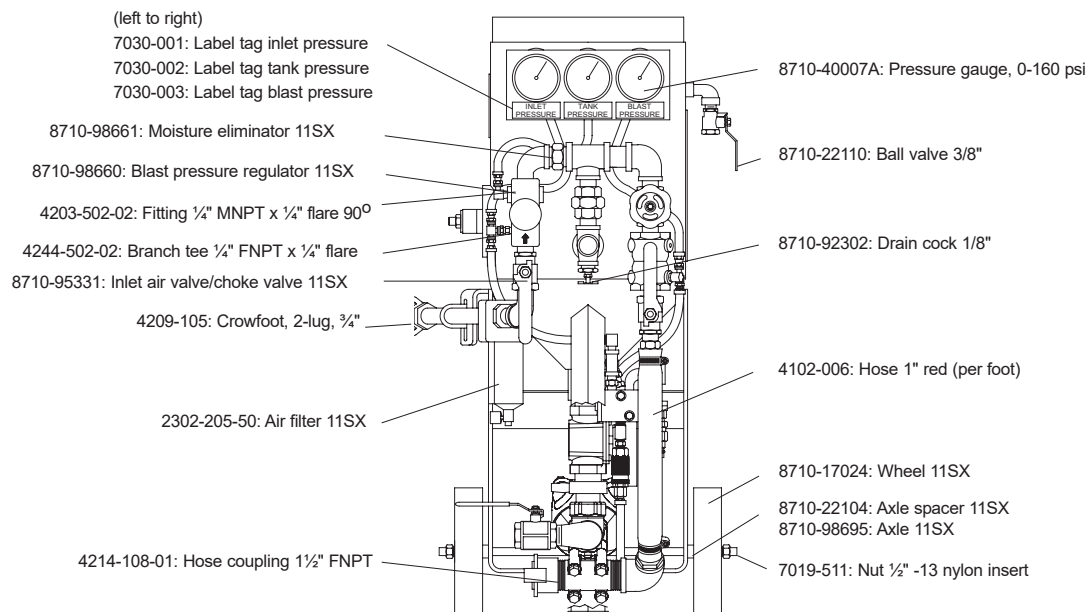


ACCUSTRIP SYSTEM HOSE ASSEMBLIES, 11SX PARTS

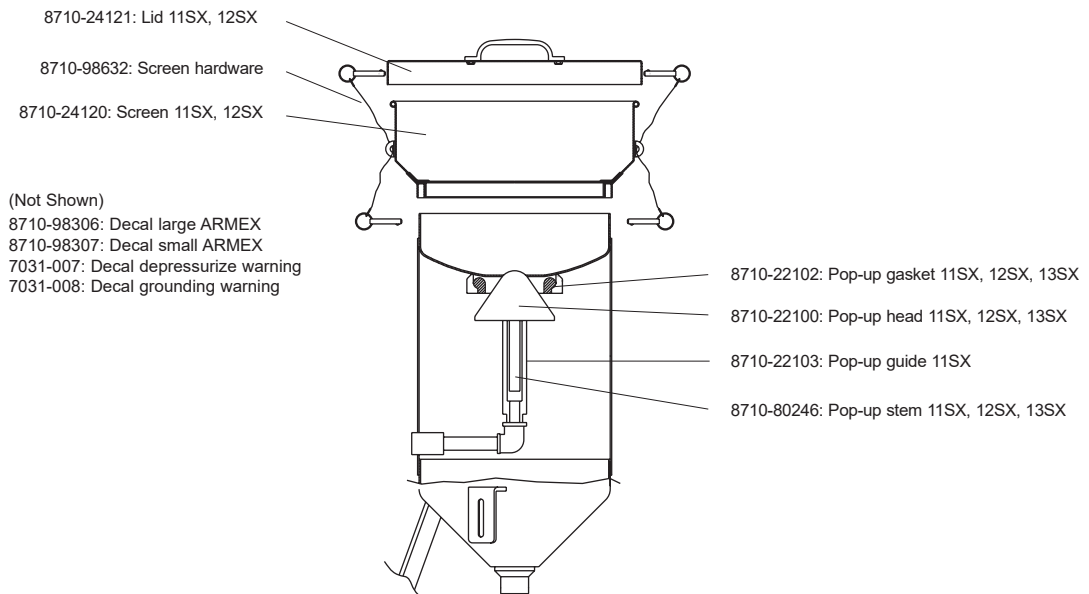
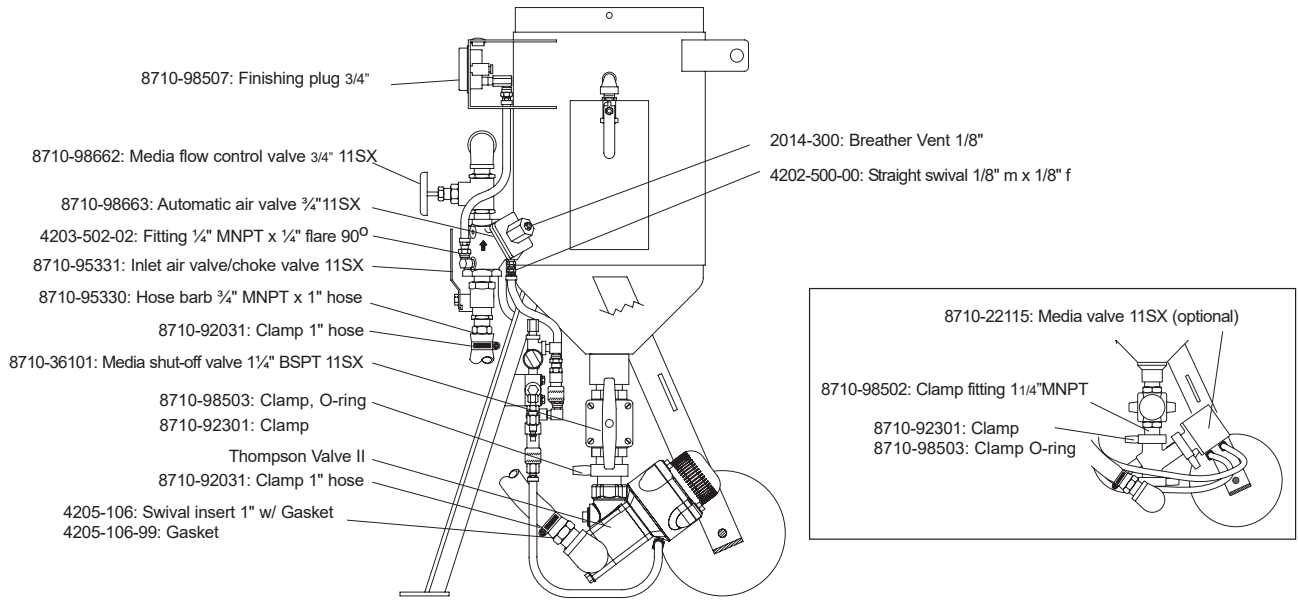
MODEL	DESCRIPTION	PART NO.
BLAST HOSE ASSEMBLIES	Complete blast hose assemblies include base blast hose with nozzle holder and coupling, water line and deadman control lines with deadman valve pre-assembled. Will connect to any SX model Accustrip System.	
11SX	5/8" blast hose assemblies have 3/4" nozzle holder threads and are recommended for use with #3 and #4 size nozzles. Blast hose assembly 5/8" x 25'. For model 11SX with standard pneumatic controls.	8710-22117
12SX or 13SX	1" blast hose assemblies have 50mm nozzle holder threads and are recommended for use with #6 and #8 size nozzles. 1 1/4" blast hose assemblies have 50mm nozzle holder threads and are recommended for use with #8 and #10 nozzles.	
12SX	Blast hose assembly 1" x 25'. Standard pneumatic controls.	8710-70125
12SX or 13SX	Blast hose assembly 1" x 50'. Standard pneumatic controls. Blast hose assembly 1 1/4" x 50'. Standard pneumatic controls.	8710-70100 8710-70101
EXTENSION BLAST HOSE ASSEMBLIES	Complete extension blast hose assemblies include base blast hose with couplings, water line and deadman control lines pre-assembled. Will connect to any SX model Accustrip System and any SX type blast hose assembly. Blast hose extension assemblies fit between the blast hose assembly (harness) and the SX model Accustrip System, to extend the reach of the nozzle from the Accustrip System® (blast pot).	
12SX or 13SX	Extension blast hose assembly 1" x 25'. Standard pneumatic controls. Extension blast hose assembly 1" x 50'. Standard pneumatic controls. Extension blast hose assembly 1 1/4" x 50'. Standard pneumatic controls.	8710-80126 8710-90028 8710-90023

11SX Parts, 1.0 cu. ft. Vessel with 3/4" Piping



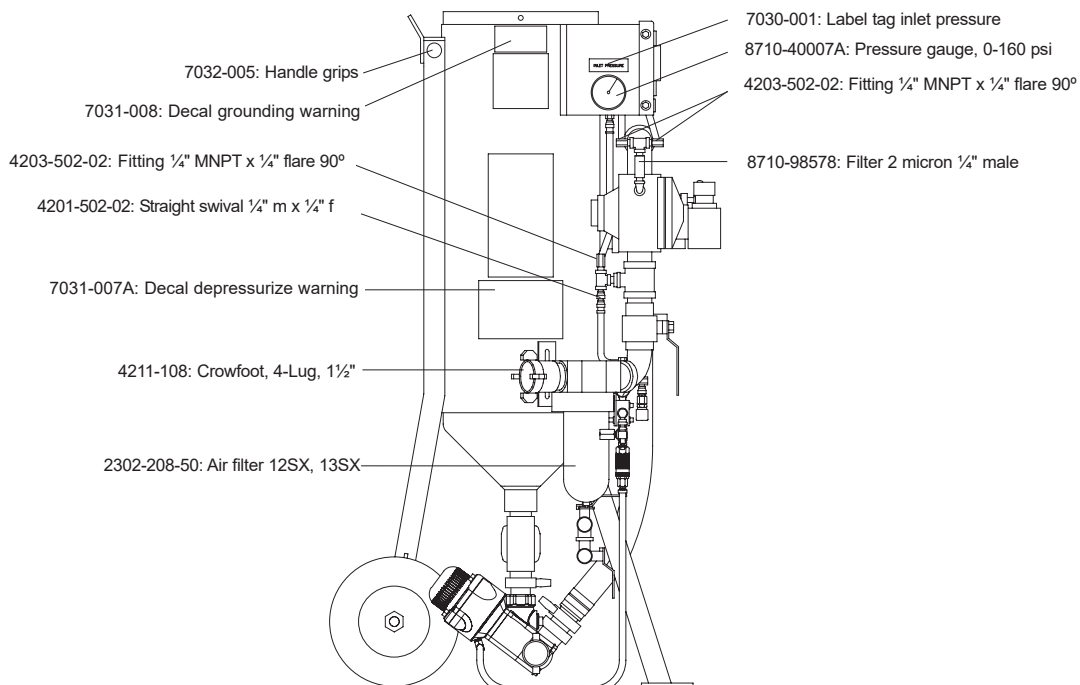
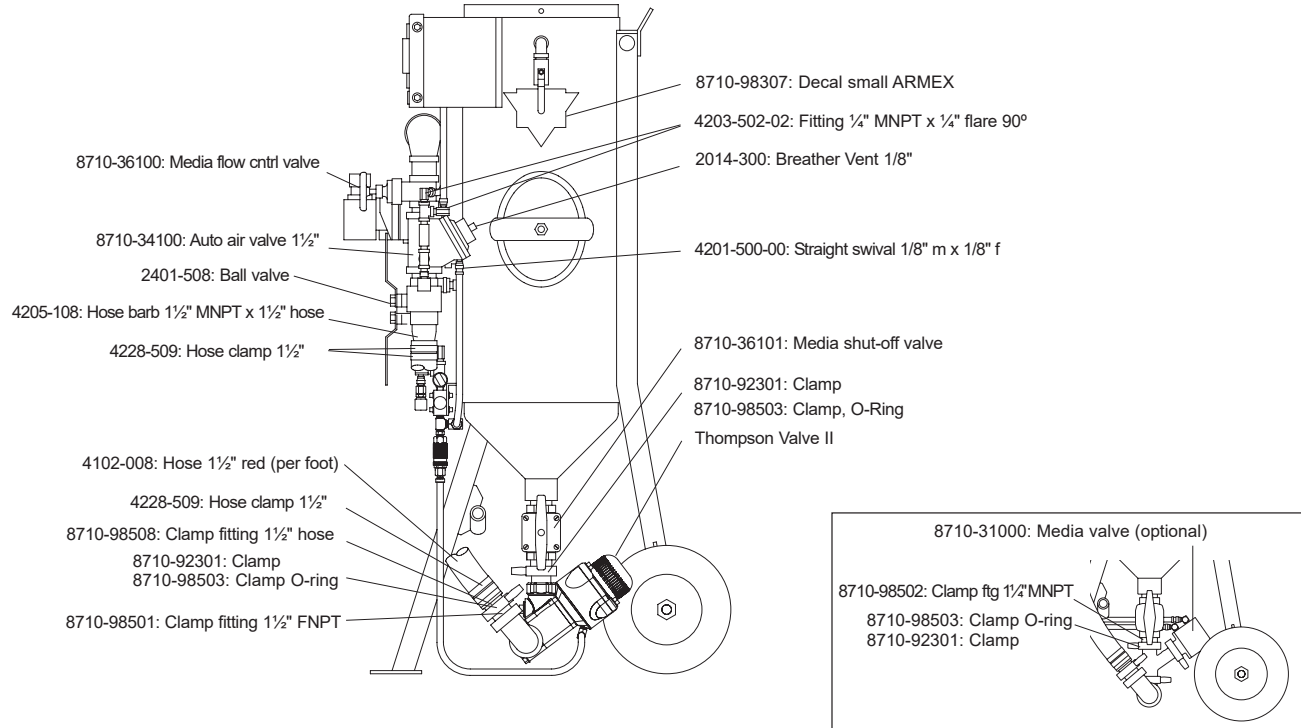
ACCUSTRIP SYSTEM 11SX PARTS

11SX Accustrip System® Parts, 1.0 cu. ft. Vessel with 3/4" Piping



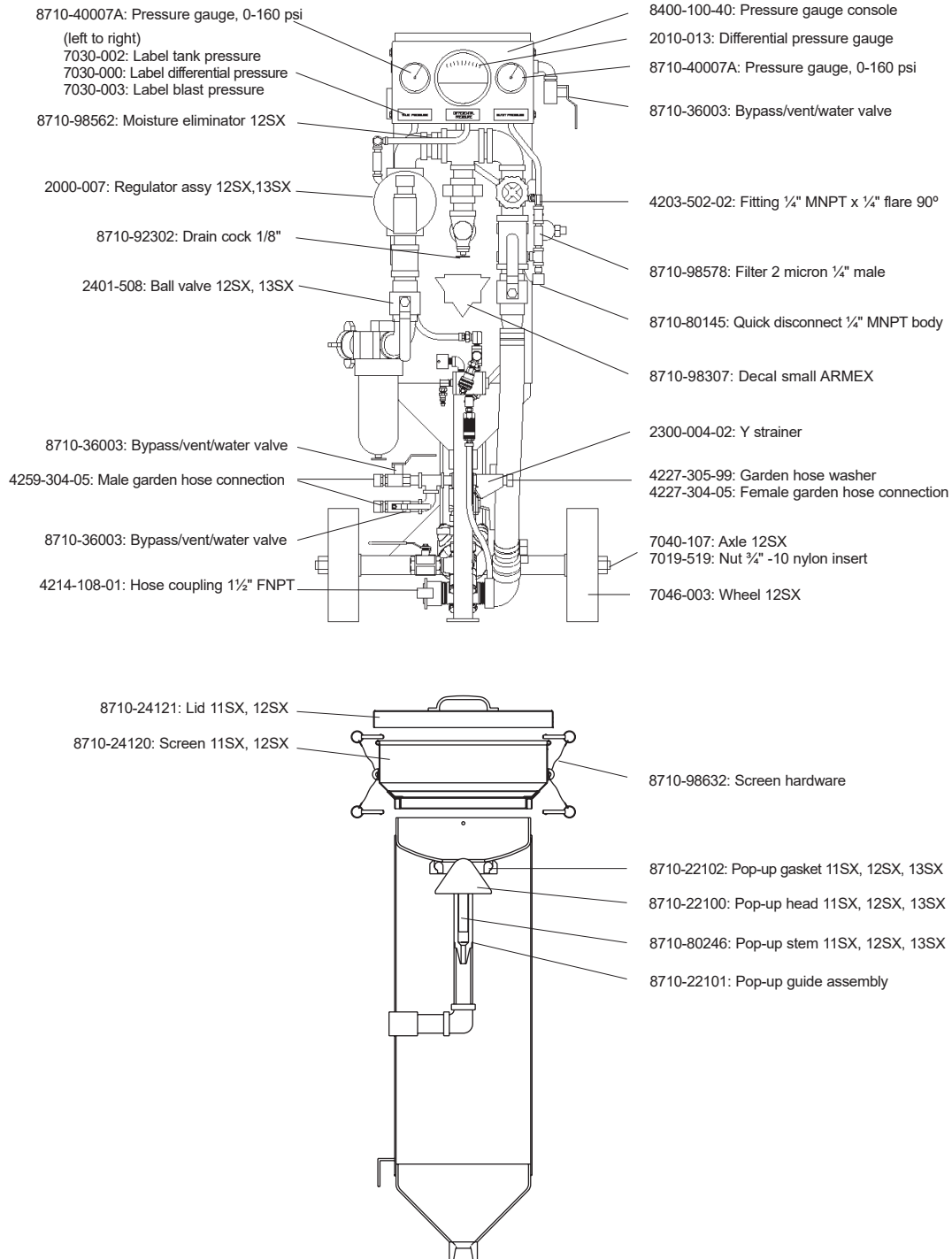
ACCUSTRIP SYSTEM 12SX PARTS

12SX Accustrip System® Parts, 2.0 cu. ft. Vessel with 1½" Piping



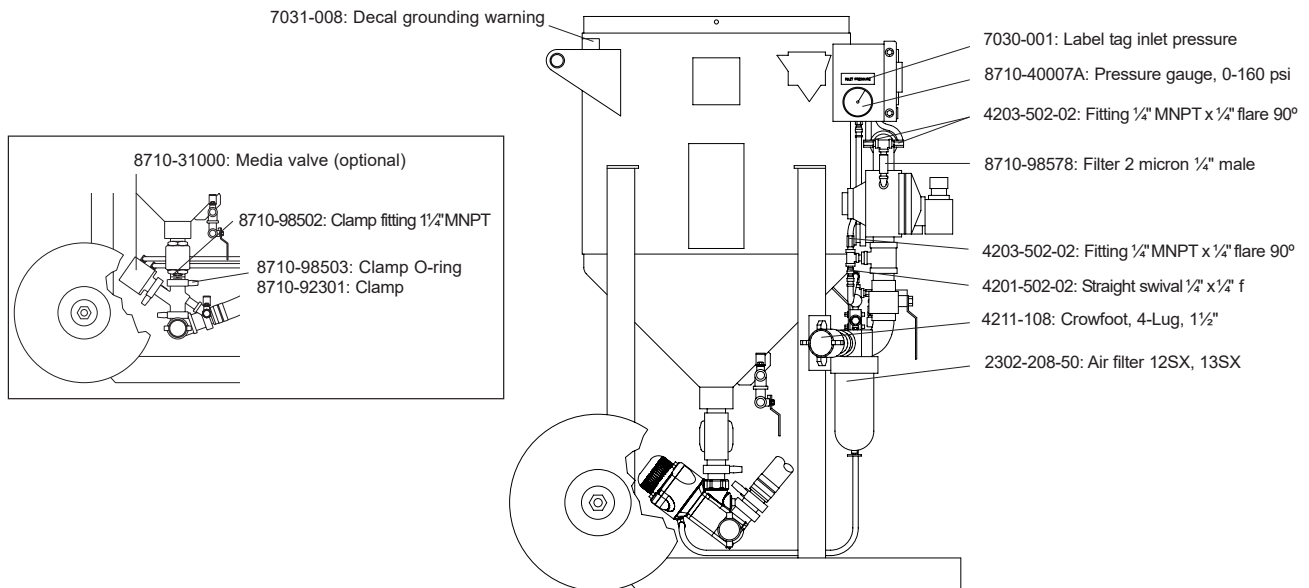
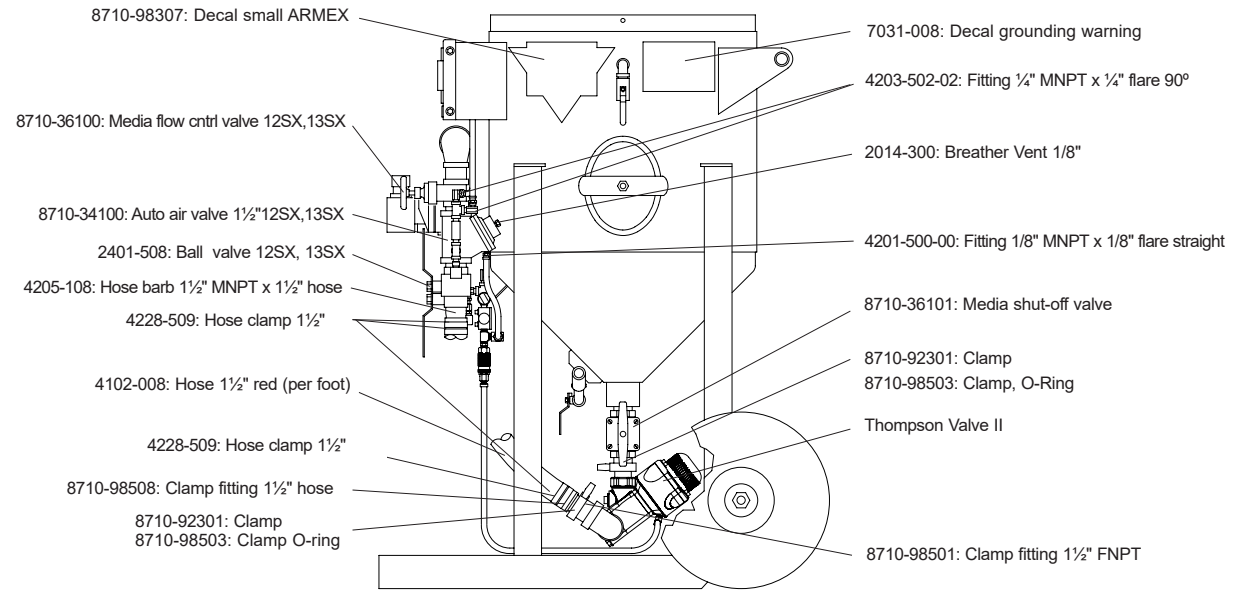
ACCUSTRIP SYSTEM 12SX PARTS

12SX Accustrip System® Parts, 2.0 cu. ft. Vessel with 1½" Piping



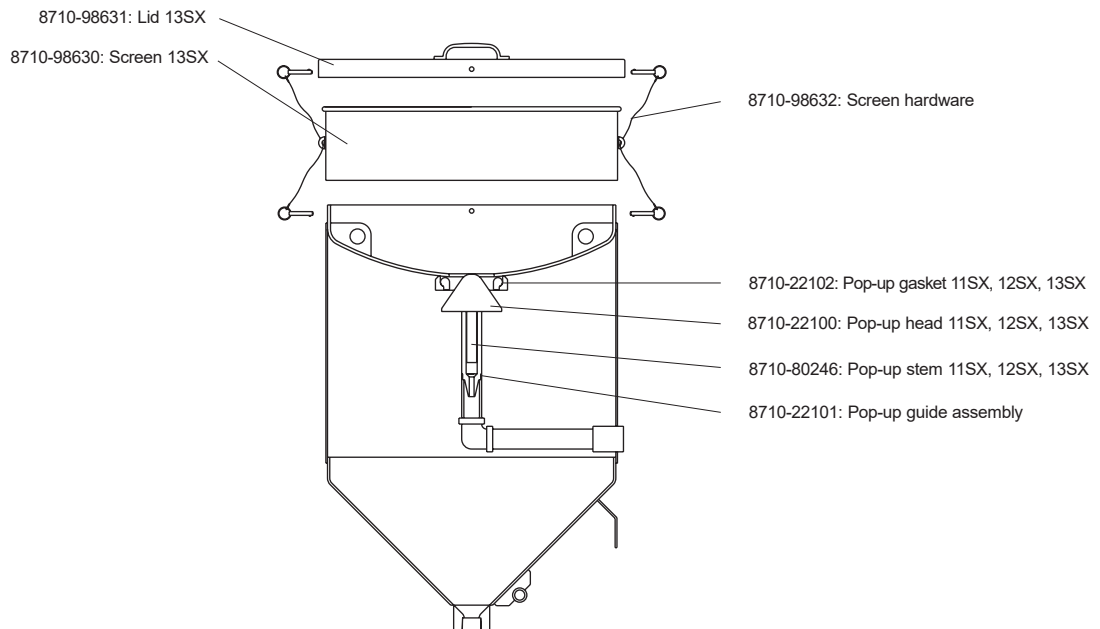
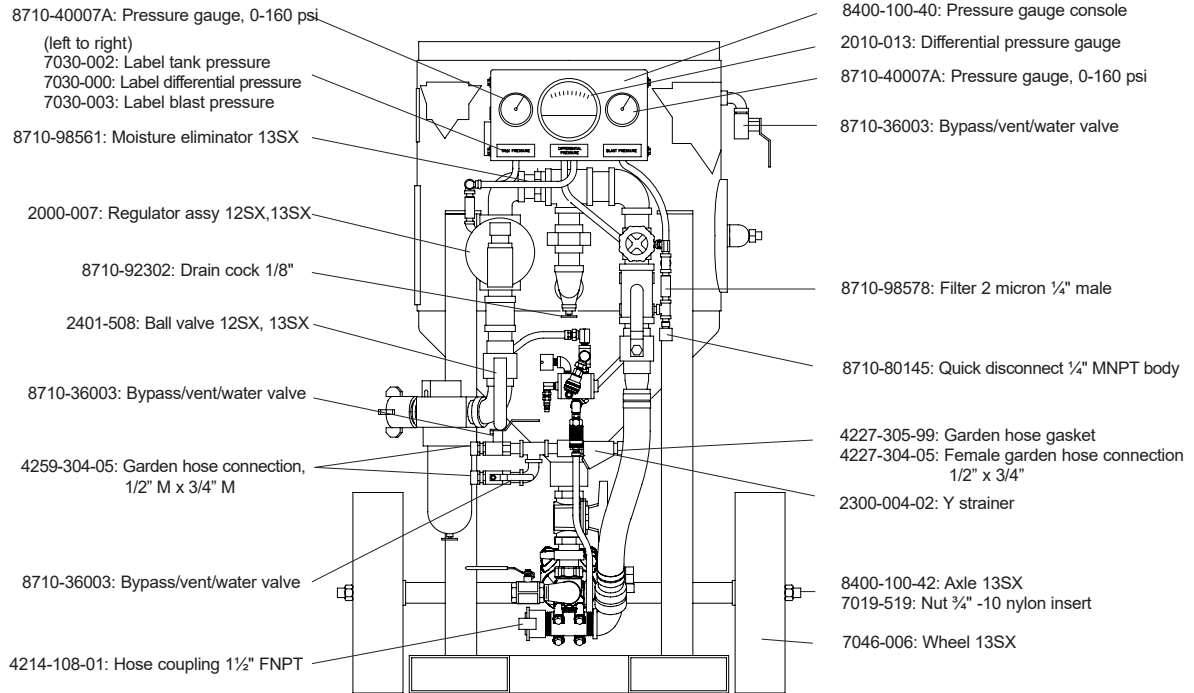
ACCUSTRIP SYSTEM 13SX PARTS

13SX Accustrip System® Parts, 3.0 cu. ft. Vessel with 1½" Piping



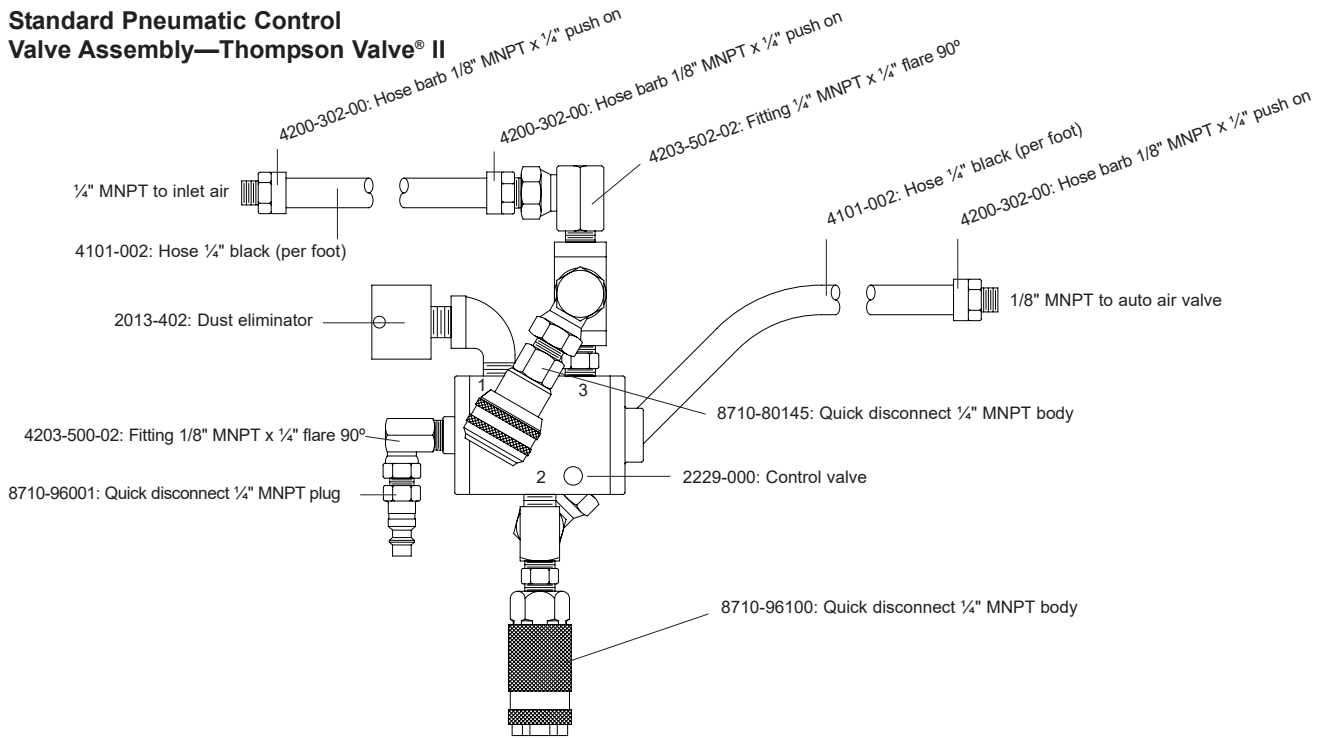
ACCUSTRIP SYSTEM 13SX PARTS

13SX Accustrip System® Parts, 3.0 cu. ft. Vessel with 1½" Piping

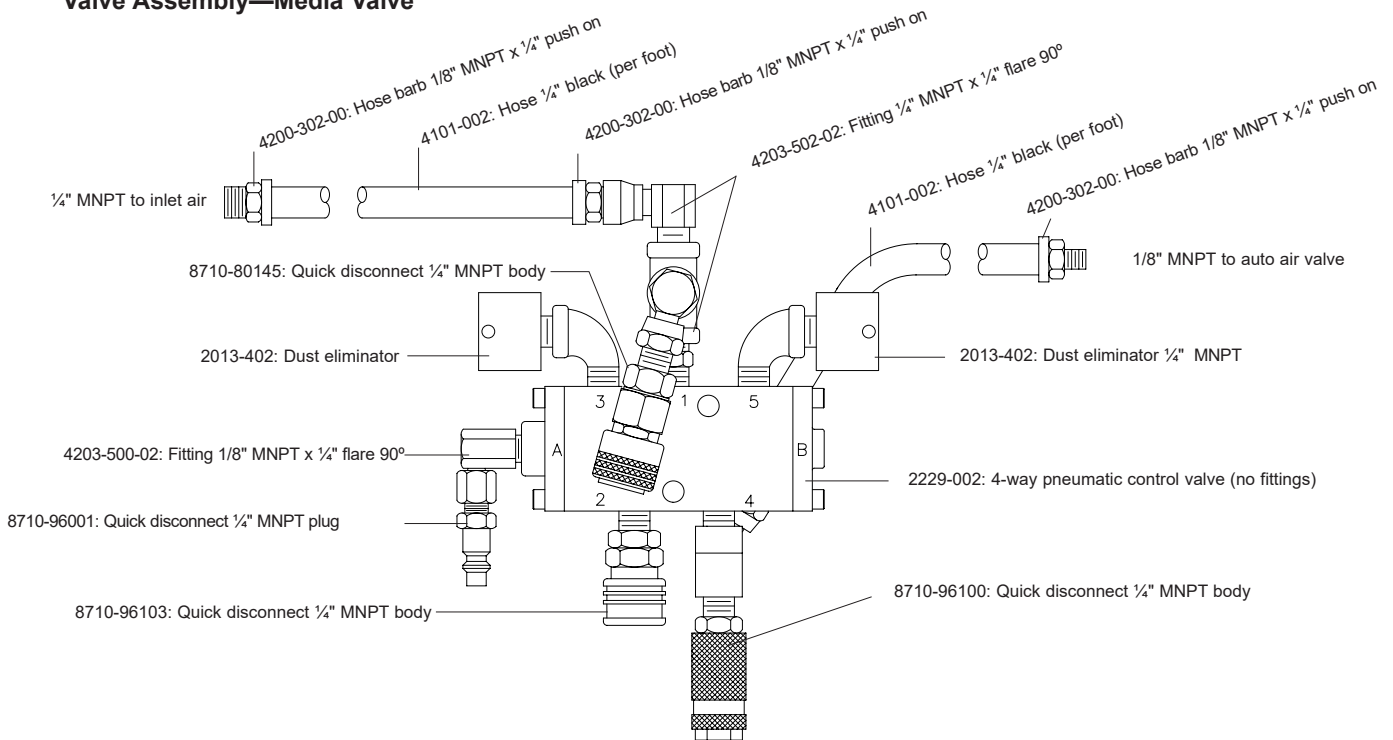


ACCUSTRIP SYSTEM PNEUMATIC CONTROL VALVE ASSEMBLY

Standard Pneumatic Control Valve Assembly—Thompson Valve® II



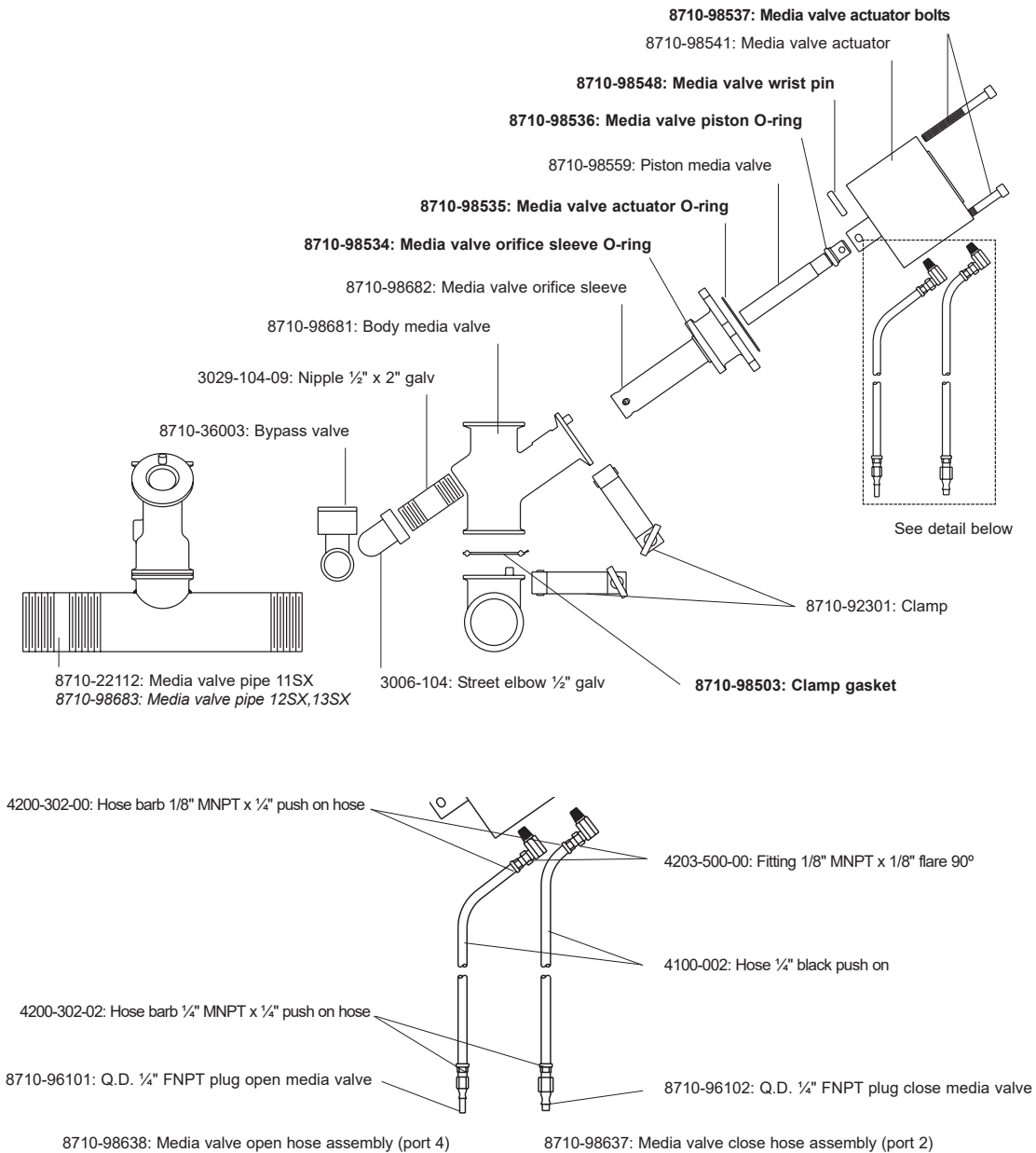
Standard Pneumatic Control Valve Assembly—Media Valve



ACCUSTRIP SYSTEM MEDIA VALVE PARTS

Media Valve

MODEL	DESCRIPTION	PART NO.
MEDIA VALVE	11SX - complete media valve assembly. 12SX or 13SX - complete media valve assembly.	8710-22115 8710-31000
REBUILD KIT	Media valve rebuild kit (items in bold). Includes clamp gasket, O-rings, actuator bolts and wrist pin.	8710-31100



9.4(b) Thompson Valve® II

2152-006	1" Valve With Tungsten Carbide Sleeve
2152-106	1" Valve With Urethane Sleeve
2152-007	1 1/4" Valve With Tungsten Carbide Sleeve
2152-107	1 1/4" Valve With Urethane Sleeve
2152-008	1 1/2" Valve With Tungsten Carbide Sleeve
2152-108	1 1/2" Valve With Urethane Sleeve

No.	Part No.	Description
	2152-000-99	Replacement Parts Kit (Tungsten Carbide)
	2152-000-98	Replacement Seals Kit (Tungsten Carbide)
	2152-100-99	Replacement Parts Kit (Urethane)
	2152-100-98	Replacement Seals Kit (Urethane)
1.	2152-000-01	Knob
2.	2152-000-17	Breather Vent
3.	2152-000-12	Spring Retainer
4.*+	2152-000-18	O-Ring
5.	7027-503-02	Washer
6.	7010-507-07	Hex Bolt, 3/8" UNC x 1-1/4" Lg.
7.	2152-000-02	Cap Plate
8.*+	2152-000-16	Cap Gasket
9.	(Deleted)	Bump Ring
10.	2152-000-25	Vibration Disc
11.	2152-000-03	Spring (3-1/2" Lg.)
12.	2149-000-08	Nut
13.*+	2149-000-04	Piston Seal
14.	2152-000-05	Piston
15.*+	2152-000-07	Tungsten Carbide Plunger
16.	2152-000-09	Cylinder
17.*+	2152-000-06	Plunger Seal, 1 req'd (Purple Urethane)
18.*+	2152-000-06	Plunger Seal, 2 req'd (Purple Urethane)
19.	2152-000-14	Body
20. +	2152-100-13	Urethane Sleeve
21.	2152-000-19	Base, 1" FNPT X 1-1/2" MNPT
	2152-000-15	Base, 1-1/4" MNPT X 1-1/4" MNPT
	2152-000-11	Base, 1-1/2" MNPT X 1 1/2" MNPT
22.	7010-507-95	Hex Bolt, 3/8" UNC x 4 3/4" Lg.
23.	3014-806	Plug, 1"
24.*	2152-000-21	O-Ring
25.*	2152-000-13	Tungsten Carbide Sleeve
26.*	2152-000-10	Seat
27.	8403-000-54	Cleanout Ball Valve Adder
28.	3006-106	Street Elbow 90°, 1" Galv.
29.	3029-106-09	Nipple TBE, 1" x 2" Lg. Galv.
30.	2401-506	Ball Valve, 1" Full Port

* Included In Replacement Parts Kit For Tungsten Carbide Sleeve
+ Included In Replacement Parts Kit For Urethane Sleeve

